

Front protection complete with fittings: Brackets, bolts and tool key



Type HIGHWAY for plastic bumper

Airflow	A75-2	39 900,-
Smooth profile	A75-2S	39 900,-
Mounting kit	80756	



Type Offroad for steel bumper ("kipper")

Smooth profile	B74-2S	33 900,-
Mounting kit	80714	

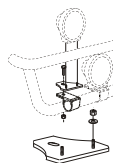
X-Light complete with fittings: Bolts, pre-wired and 4 spotlight clamps



For steel bumper ("Kipper")

Airflow	K75-3	8 700,-
Smooth profile	K75-3S	8 700,-

Lights not included!

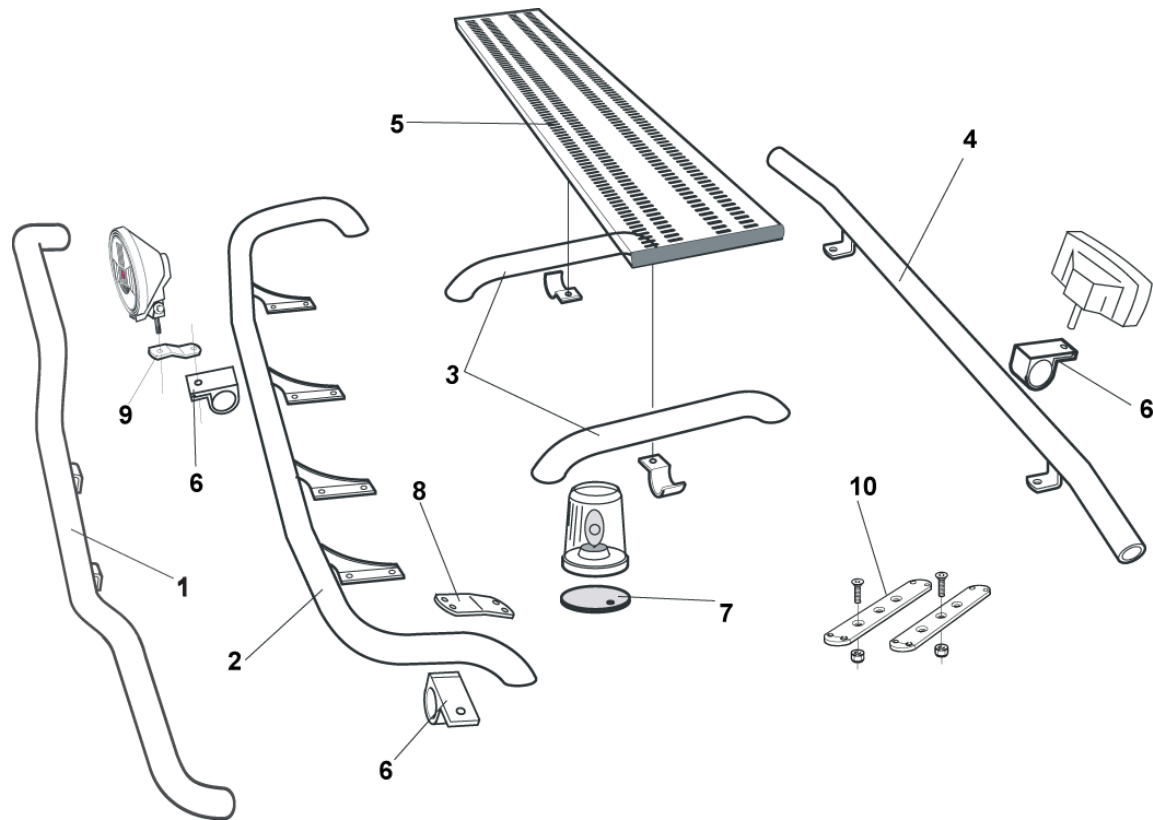


Mounting plate for Hella luminator	15907	190,-
---	-------	--------------

Light-Bar with mounting kit

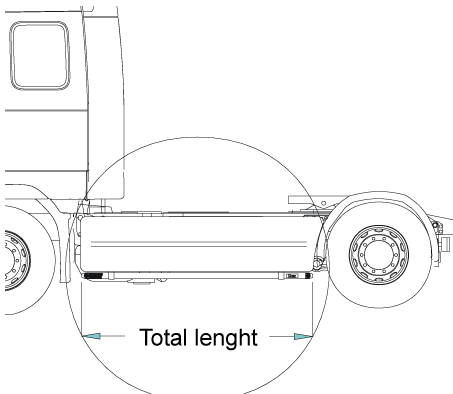



Airflow	H75-2	5 500,-
Smooth profile	H75-2S	5 500,-



Front Top-Bar, with mounting kit

1	for LX cab	<i>Smooth profile</i>	G73-3	5 400,-
2	for L and M cab	<i>Smooth profile</i>	G73-4	5 600,-
		<i>Airflow</i>	G73-4A	5 600,-
3	Spacing tube, with mounting kit			
	for L cab	<i>Smooth profile</i>	E73-4	3 900,-
	for M cab	<i>Smooth profile</i>	E73-5	3 900,-
4	Rear Top-Bar, with mounting kit			
	for L and M cab	<i>Smooth profile</i>	G73-7	4 700,-
5	Catwalk, with fittings		15935	2 800,-
6	Clamp (for <i>smooth profile</i>)		15902	270,-
	Airflow clamp		15903	330,-
7	Mounting plate for beacon	Ø 150 mm	15915	220,-
		Ø 165 mm	15917	230,-
		Ø 240 mm	15916	260,-
8	Angled extension for beacon (8°)		15945	120,-
9	Extension		15912	100,-
	Airflow extension		15923	100,-
10	Universal fitting for roof signs / roof light bars		20409	460,-

<p>Sideliner</p> 			
<p>Total length / side 0 – 2500 mm</p>			
<i>Airflow</i>	S-1A	3 600,-	
<i>Smooth profile</i>	S-1S	3 600,-	
<p>Total length / side 2501 – 5000 mm</p>			
<i>Airflow</i>	S-2A	4 300,-	
<i>Smooth profile</i>	S-2S	4 300,-	
<p>AIRFLOW These products are supplied in our AIRFLOW profile as standard. The new generation aerodynamic accessories are designed for the highest performance. On request, we can also supply the products in the traditional "smooth" profile.</p> 			
<p>FINISH As standard the accessories are supplied anodized in silver color. Products can also be supplied sand blasted for your own lacquering, no additional charge, or powder coated in black or white color or lacquered in your own personal color, ask us for a quote.</p> <p>Brackets comes standard powder coated black, but is possible to get painted in the same color as the front protection</p>			
<p>PRICES: All prices are in SEK and are subject to VAT and ex works Färila (Sweden) <i>We reserve the rights to technical or price changes without prior notice</i></p>			
<p>FURTHER INFORMATION about our accessories for mounting of, for example, lights can be found in our folder "Accessories"</p>			