

**Front protection complete with fittings:** Brackets, bolts and tool key



**Offroad Atego (6,5-15t)**

<i>Smooth profile</i>	B43-3	<b>29 900,-</b>
<i>Mounting kit</i>	80414	

**Light-Bar with mounting kit**

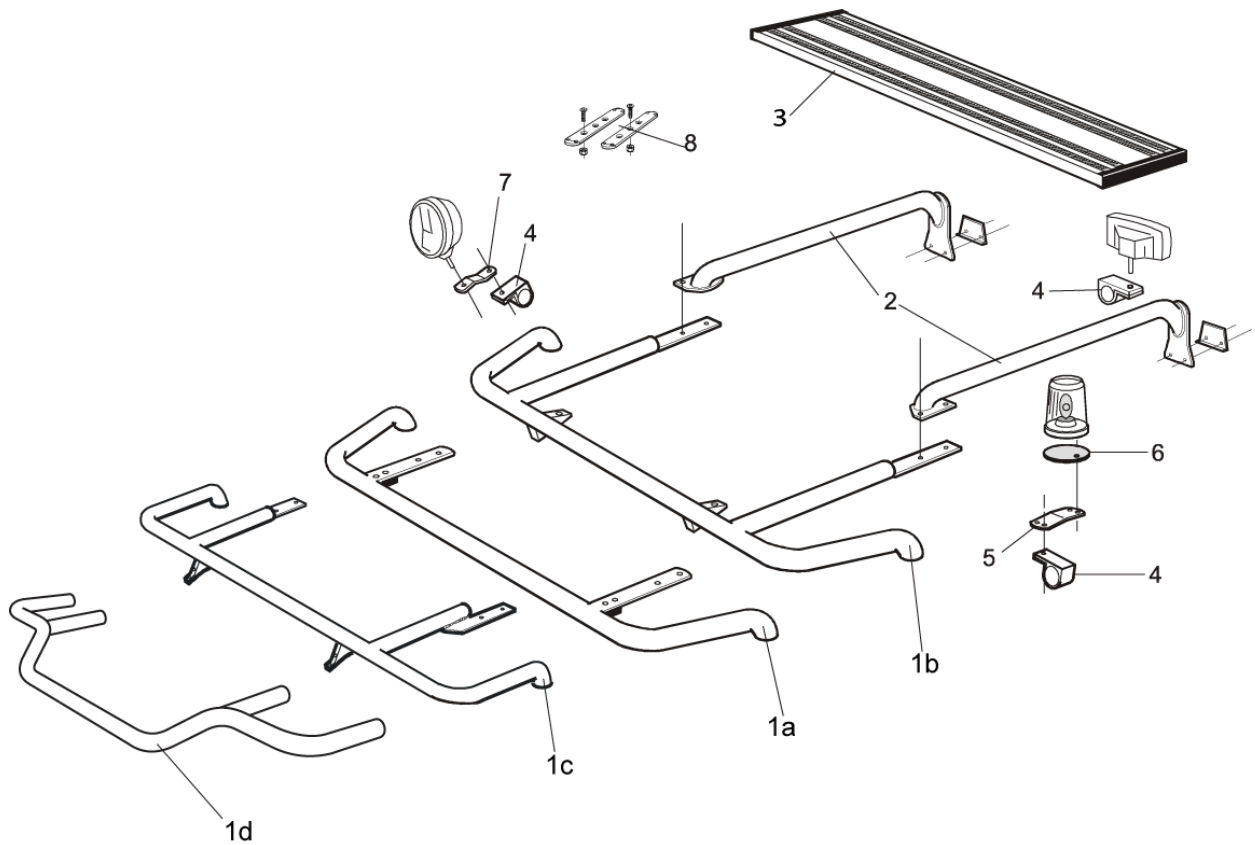


**Atego**

<i>Smooth profile</i>	H43-3	<b>5 500,-</b>
-----------------------	-------	----------------

*Lights and clamps are not included!*





**1. Front Top-Bar, with mounting kit**

a	For <b>S-cab</b> (F07)	Smooth profile	G43-3	<b>5 400,-</b>
b	For <b>L-cab</b> (F04)	Smooth profile	G43-4	<b>6 000,-</b>
c	For <b>LH-cab</b> (F04 DD5)	Smooth profile	G43-1	<b>5 700,-</b>
d	For <b>LH-cab</b> (F04 DD5)	Smooth profile	G43-5	<b>Expired</b>

**2. Spacing tube, with mounting kit**

	For <b>S-cab</b> (F07)	Smooth profile	E43-3	<b>4 400,-</b>
	For <b>L-cab</b> (F04)	Smooth profile	E43-4	<b>Expired</b>
	For <b>LH-cab</b> (F04 DD5)	Smooth profile	E43-1	<b>Expired</b>

**3. Catwalk, with fittings** 15927 **2 800,-**

**4. Clamp** 15902 **270,-**

**5. Angled extension for beacon (8°)** 15945 **120,-**

**6. Mounting plate for beacon**

Ø 150 mm	15915	<b>220,-</b>
Ø 165 mm	15917	<b>230,-</b>
Ø 240 mm	15916	<b>260,-</b>

**7. Extension** 15912 **100,-**

**8. Universal fitting for roof signs / roof light bars** 20409 **460,-**

**FINISH**

As standard the accessories are supplied **anodized** in silver color.  
Products can also be supplied **sand blasted** for your own lacquering, no additional charge,  
or **powder coated** in black or white color or **lacquered** in your own personal color, ask us for a quote.

**Brackets** comes standard powder coated black, but is possible to get painted in the same color as the front protection

**Note!** *Catwalks come anodized only.*

**PRICES:** All prices are in **SEK** and are subject to VAT and ex works Färila (Sweden)

*We reserve the rights to technical or price changes without prior notice*

**FURTHER INFORMATION** *about our accessories for mounting of, for example, lights can be found in our folder*

**"Accessories"**