

Front protection complete with fittings: Brackets, bolts and tool key



Type HIGHWAY

<i>Airflow</i>	A92-1	39 900,-
<i>Mounting kit</i>	80955	

Top-Bar, with mounting kit



Lights and clamps are not included!

Sleeper Cab

<i>Airflow</i>	G92-1	5 000,-
<i>Smooth profile</i>	G92-1	5 000,-

X-Bar, with mounting kit




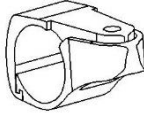
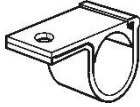


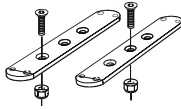
Lights and clamps are not included!

<i>Airflow</i>	H92-4	4 300,-
----------------	-------	----------------

U-bar, with mounting kit



<i>Airflow</i>	L92-2	5 000,-
----------------	-------	----------------

	Mounting plate for beacon		
	Ø 150mm	15915	220,-
	Ø 165mm	15917	230,-
	Ø 240mm	15916	260,-
	Airflow clamp	15903	330,-
	Clamp (for smooth profile)	15902	270,-
	Airflow extension	15923	100,-
	Extension	15912	100,-
	Universal fitting for roof signs / roof light bars	20409	460,-

AIRFLOW

These products are supplied in our AIRFLOW profile as standard.
The new generation aerodynamic accessories are designed for the highest performance.
On request, we can also supply the products in the traditional "smooth" profile.



FINISH

As standard the accessories are supplied **anodized** in silver color.
Products can also be supplied **sand blasted** for your own lacquering, no additional charge,
or **powder coated** in black or white color or **lacquered** in your own personal color, ask us for a quote.

Brackets comes standard powder coated black, but is possible to get painted in the same color as the front protection

PRICES: All prices are in **SEK** and are subject to VAT and ex works Färila (Sweden)

We reserve the rights to technical or price changes without prior notice

FURTHER INFORMATION about our accessories for mounting of, for example, lights can be found in our folder

"Accessories"