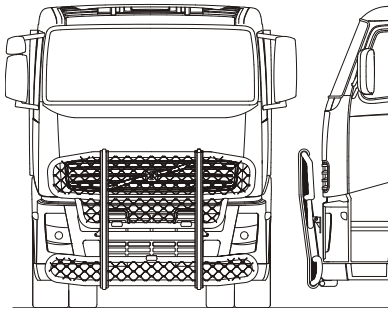
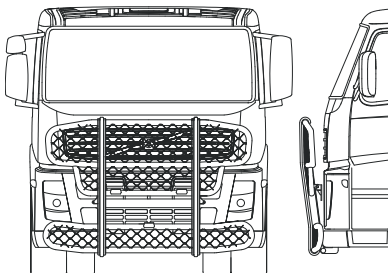


Front protection complete with fittings: Brackets, bolts and tool key



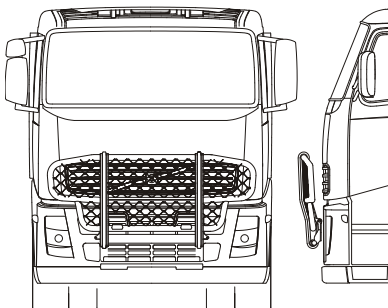
Type HIGHWAY for FH

<i>Airflow</i>	A14-2	38 100,-
<i>Smooth profile</i>	A14-2S	38 100,-
<i>Mounting kit</i>	80159	



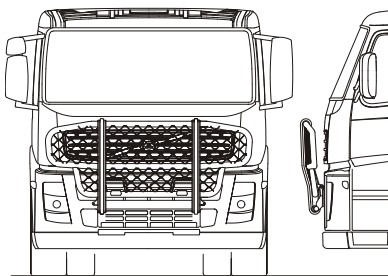
Type HIGHWAY for FM

<i>Airflow</i>	A14-2	38 100,-
<i>Smooth profile</i>	A14-2S	38 100,-
<i>Mounting kit</i>	80159	



Type OFFROAD for FH

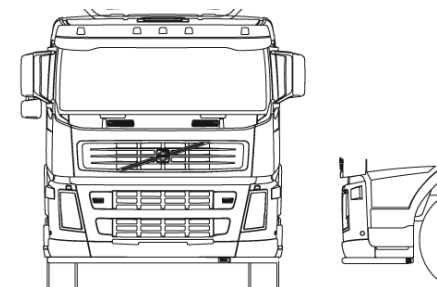
<i>Airflow</i>	B14-2	32 200,-
<i>Smooth profile</i>	B14-2S	32 200,-
<i>Mounting kit</i>	80117	



Type OFFROAD for FM

<i>Airflow</i>	B14-2	32 200,-
<i>Smooth profile</i>	B14-2S	32 200,-
<i>Mounting kit</i>	80117	

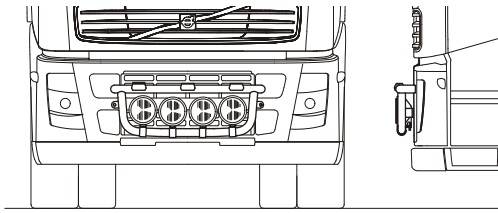
U-Bar with mounting kit (not for trucks with Highway mounted)



for FH and FM

<i>Airflow</i>	L14-2	5 000,-
<i>Smooth profile</i>	L14-2S	5 000,-

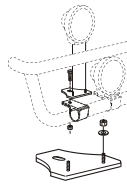
X-Light complete with fittings: Bolts, pre-wired and 4 spotlight clamps



Lights not included!

For FH and FM

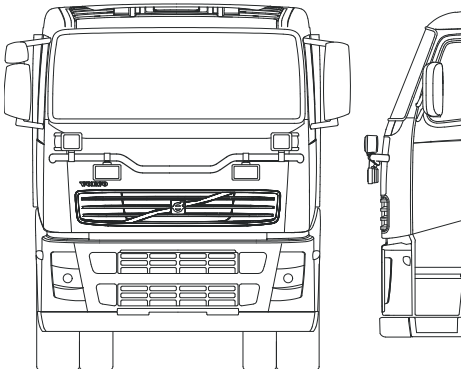
<i>Airflow</i>	K14-2	8 700,-
<i>Smooth profile</i>	K14-2S	8 700,-



Mounting plate for Hella luminator

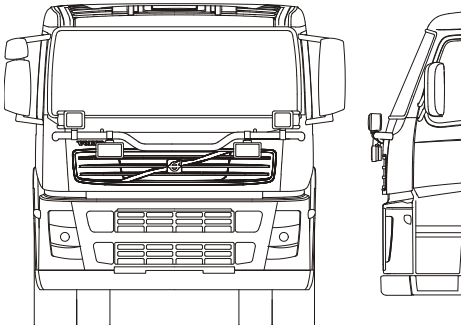
15907	190,-
-------	--------------

Light-Bar with mounting kit



FH

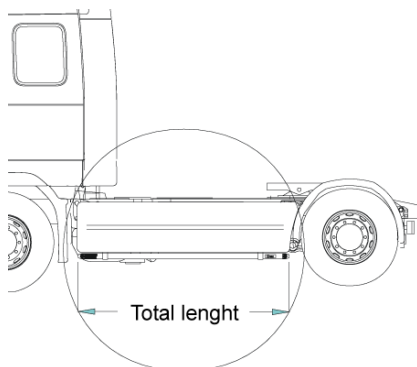
<i>Airflow</i>	H14-2	5 500,-
<i>Smooth profile</i>	H14-2S	5 500,-



FM

<i>Airflow</i>	H14-3	5 900,-
<i>Smooth profile</i>	H14-3S	5 900,-

Sideline

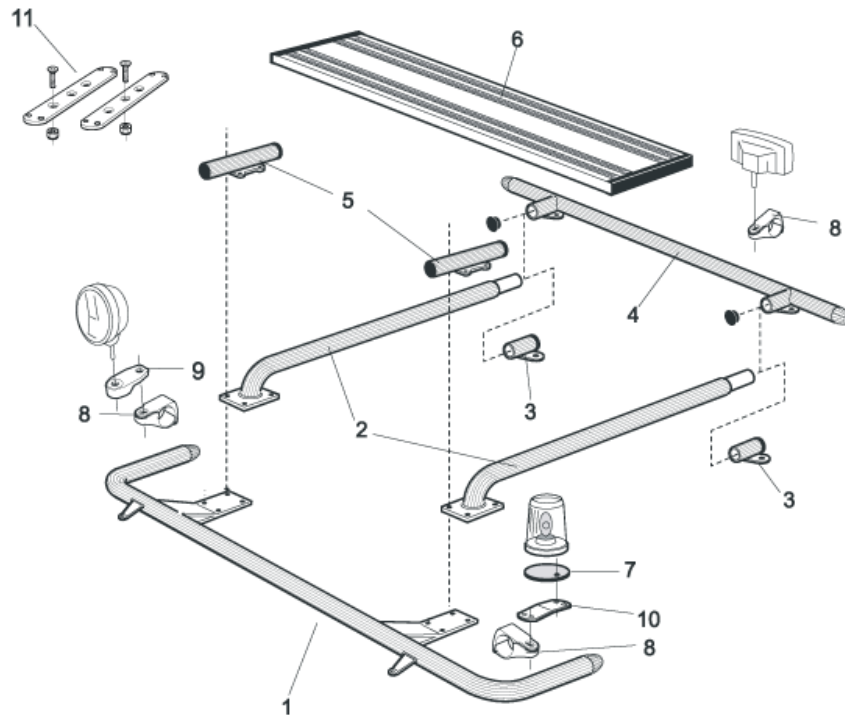


Total length / side 0 – 2500 mm

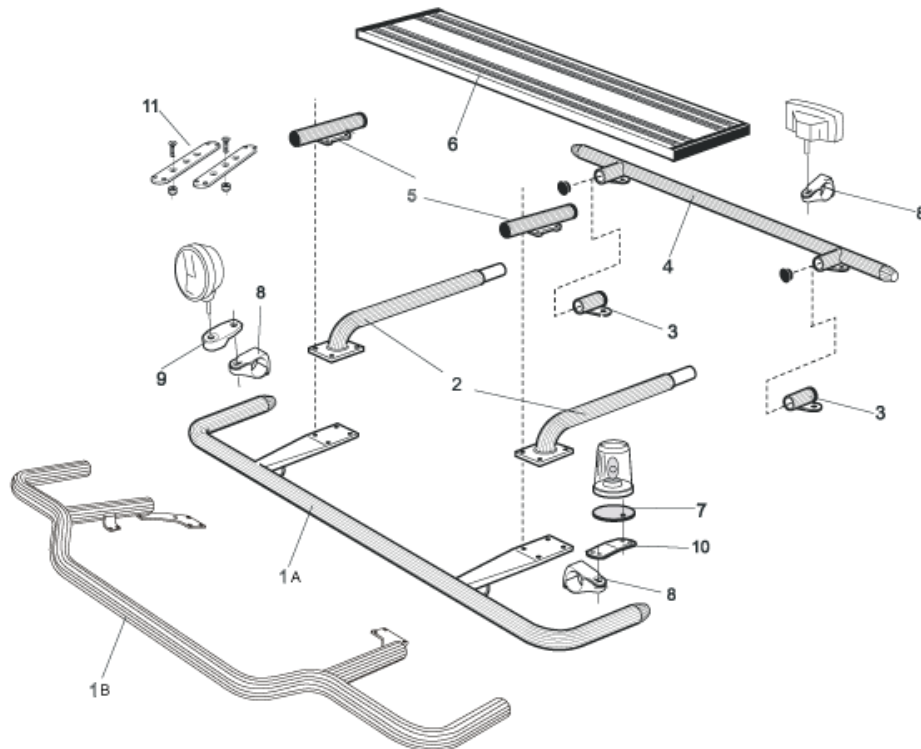
<i>Airflow</i>	S-1A	3 600,-
<i>Smooth profile</i>	S-1S	3 600,-

Total length / side 2501 – 5000 mm

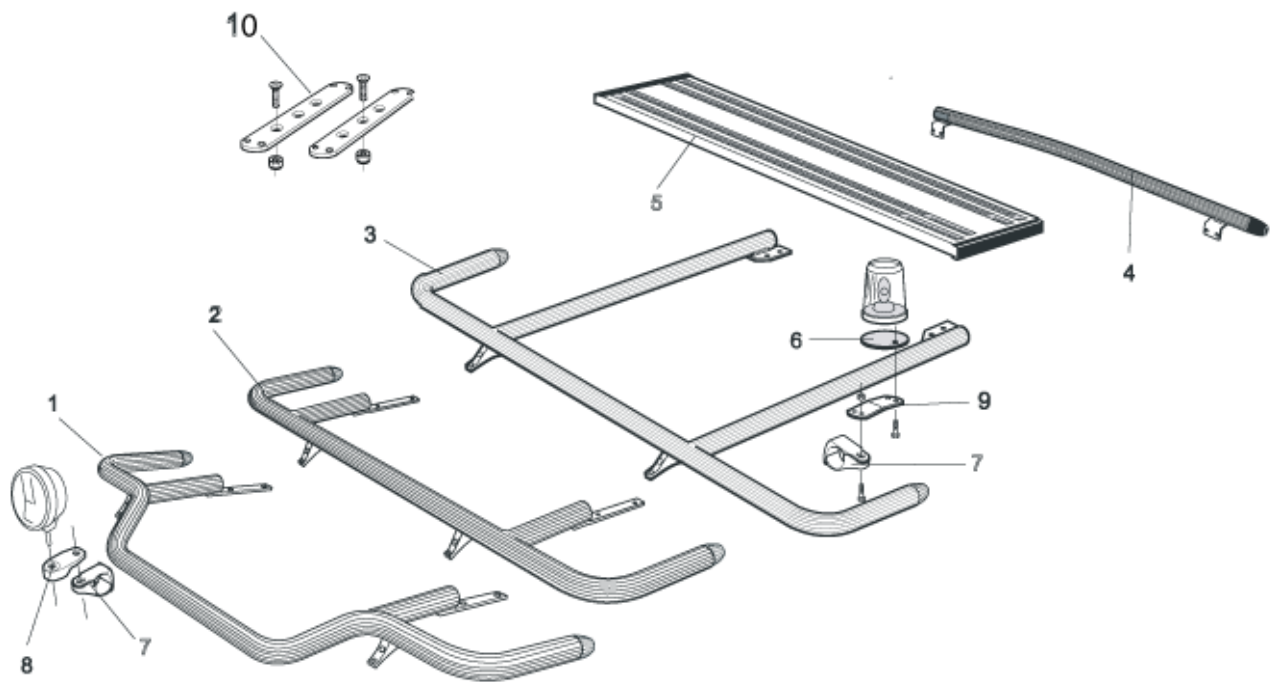
<i>Airflow</i>	S-2A	4 300,-
<i>Smooth profile</i>	S-2S	4 300,-



1 Front Top-Bar for L1EH1 and L2H1	<i>Airflow</i>	G14-2	5 400,-
	<i>Smooth profile</i>	G14-2S	5 400,-
2 Spacing tube, with mounting kit for L1EH1	<i>Airflow</i>	E14-1	3 300,-
	<i>Smooth profile</i>	E11-1	3 300,-
	<i>Airflow</i>	E14-2	3 500,-
	<i>Smooth profile</i>	E11-2	3 500,-
3 Rear fitting for spacing tube, with mounting kit for L1EH1, L2H1	<i>Airflow</i>	15906	1 300,-
	<i>Smooth profile</i>	15960	1 300,-
4 Rear Top-Bar, with mounting kit for L1EH1, L2H1 and L2H2	<i>Airflow</i>	G14-1	4 600,-
	<i>Smooth profile</i>	G11-1	4 600,-
5 Spacing tube for cooling cab, with mounting kit		E14-4	Expired!
6 Catwalk, with fittings		15935	2 800,-
7 Mounting plate for beacon	Ø 150 mm	15915	220,-
	Ø 165mm	15917	230,-
	Ø 240 mm	15916	260,-
8 Airflow clamp	Clamp	15903	330,-
		15902	270,-
9 Airflow extension	Extension	15923	100,-
		15912	100,-
10 Angled extension for beacon (8°)		15945	120,-
11 Universal fitting for roof signs / roof light bars		20409	460,-



1	Front Top-Bar , with mounting kit for L2H2			
A	Straight model	<i>Airflow</i>	G14-3	5 400,-
		<i>Smooth profile</i>	G11-3	5 400,-
B	Low model	<i>Airflow</i>	G14-8	6 500,-
		<i>Smooth profile</i>	G14-8S	6 500,-
2	Spacing tube , with mounting kit for L2H2	<i>Airflow</i>	E14-3	3 300,-
		<i>Smooth profile</i>	E11-3	3 300,-
3	Rear fitting for spacing tube , with mounting kit	<i>Airflow</i>	15906	1 300,-
		<i>Smooth profile</i>	15960	1 300,-
4	Rear Top-Bar , with mounting kit for L1EH1, L2H1 and L2H2	<i>Airflow</i>	G14-1	4 600,-
		<i>Smooth profile</i>	G11-1	4 600,-
5	Spacing tube for cooling cab , with mounting kit		E14-4	Expired!
6	Catwalk , with fittings		15935	2 800,-
7	Mounting plate for beacon	Ø 150 mm	15915	220,-
		Ø 165mm	15917	230,-
		Ø 240 mm	15916	260,-
8	Airflow clamp		15903	330,-
	Clamp		15902	270,-
9	Airflow extension		15923	100,-
	Extension		15912	100,-
10	Angled extension for beacon (8°)		15945	120,-
11	Universal fitting for roof signs / roof light bars		20409	460,-



Front Top-Bar, with mounting kit for L2H3

1 Low model	<i>Airflow</i>	G14-7	6 500,-
	<i>Smooth profile</i>	G14-7S	6 500,-
2 Straight model for large roof spoiler	<i>Airflow</i>	G14-5	5 900,-
	<i>Smooth profile</i>	G14-5S	5 900,-
3 Straight model	<i>Airflow</i>	G14-4	5 900,-
	<i>Smooth profile</i>	G11-4	5 900,-
4 Rear Top-Bar , with mounting kit for L2H3	<i>Airflow</i>	G14-6	4 600,-
	<i>Smooth profile</i>	G14-6S	4 600,-
5 Catwalk , with fittings		15935	2 800,-
6 Mounting plate for beacon	Ø 150 mm	15915	220,-
	Ø 165mm	15917	230,-
	Ø 240 mm	15916	260,-
7 Airflow clamp		15903	330,-
Clamp		15902	270,-
8 Airflow extension		15923	100,-
	Extension		15912
9 Angled extension for beacon (8°)		15945	120,-
10 Universal fitting for roof signs / roof light bars		20409	460,-

AIRFLOW

These products are supplied in our AIRFLOW profile as standard.
The new generation aerodynamic accessories are designed for the highest performance.
On request, we can also supply the products in the traditional "smooth" profile.



FINISH

As standard the accessories are supplied **anodized** in silver color.
Products can also be supplied **sand blasted** for your own lacquering, no additional charge,
or **powder coated** in black or white color or **lacquered** in your own personal color, ask us for a quote.

Brackets comes standard powder coated black, but is possible to get painted in the same color as the front protection

Note! *Catwalks come anodized only.*

PRICES: All prices are in **SEK** and are subject to VAT and ex works Färila (Sweden)

We reserve the rights to technical or price changes without prior notice

FURTHER INFORMATION about our accessories for mounting of, for example, lights can be found in our folder

"Accessories"