

Front protection complete with fittings: Brackets, bolts and tool key



Type OFFROAD

<i>Airflow</i>	B14-2	32 200,-
<i>Smooth profile</i>	B14-2S	32 200,-
<i>Mounting kit</i>	80123	

Light-Bar with mounting kit



<i>Airflow</i>	H16-3	6 100,-
<i>Smooth profile</i>	H16-3S	6 100,-

Lights and clamps are not included!

X-Light complete with fittings: Bolts, pre-wired and 4 spotlight clamps



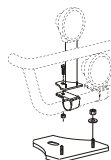
Lights not included!

<i>Airflow</i>	K16-4	8 100,-
----------------	-------	----------------

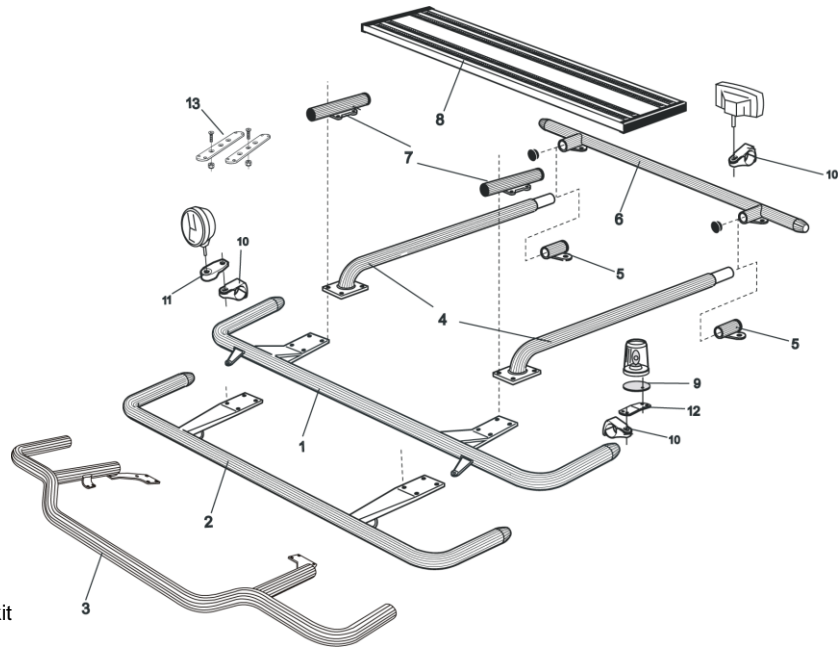


Lights not included!

Note! Trucks with ACC and/or FLS should mount auxiliary lamps standing.



Mounting plate for Hella luminator	15907	190,-
---	-------	--------------



Front Top-Bar, with mounting kit

1	for FMX-DAY and FMX-SLP	<i>Airflow</i>	G14-2	5 400,-
		<i>Smooth profile</i>	G11-2	5 400,-
2	for FMX-HSLP	<i>Airflow</i>	G14-3	5 400,-
		<i>Smooth profile</i>	G11-3	5 400,-
3	for FMX-HSLP, low model	<i>Airflow</i>	G14-8	6 500,-
		<i>Smooth profile</i>	G14-8S	6 500,-
4	Spacing tube, with mounting kit			
	for FMX-DAY	<i>Airflow</i>	E14-1	3 300,-
		<i>Smooth profile</i>	E11-1	3 300,-
	for FMX-SLP	<i>Airflow</i>	E14-2	3 500,-
		<i>Smooth profile</i>	E11-2	3 500,-
	for FMX-HSLP	<i>Airflow</i>	E14-3	3 300,-
		<i>Smooth profile</i>	E11-3	3 300,-
5	Rear fitting for spacing tube, with mounting kit			
	for FMX-DAY, FMX-SLP and FMX-HSLP	<i>Airflow</i>	15906	1 300,-
		<i>Smooth profile</i>	15960	1 300,-
6	Rear Top-Bar, with mounting kit			
	for FMX-DAY, FMX-SLP and FMX-HSLP	<i>Airflow</i>	G14-1	4 600,-
		<i>Smooth profile</i>	G14-1	4 600,-
7	Spacing tube for cooler cab, with mounting kit		E14-4	<i>Expired!</i>
8	Catwalk, with fittings		15935	2 800,-
9	Mounting plate for beacon			
	Ø 150 mm		15915	220,-
	Ø 165 mm		15917	230,-
	Ø 240 mm		15916	260,-
10	Airflow clamp		15903	330,-
	Clamp (for smooth profile)		15902	270,-
11	Airflow extension		15923	100,-
	Extension		15912	100,-
12	Angled extension for beacon (8°)		15945	120,-
13	Universal fitting for roof signs / roof light bars		20409	460,-

AIRFLOW

These products are supplied in our AIRFLOW profile as standard.
The new generation aerodynamic accessories are designed for the highest performance.
On request, we can also supply the products in the traditional "smooth" profile.



FINISH

As standard the accessories are supplied **anodized** in silver color.
Products can also be supplied **sand blasted** for your own lacquering, no additional charge,
or **powder coated** in black or white color or **lacquered** in your own personal color, ask us for a quote.

Brackets comes standard powder coated black, but is possible to get painted in the same color as the front protection

Note! Catwalks come anodized only.

PRICES: All prices are in **SEK** and are subject to VAT and ex works Färila (Sweden)

We reserve the rights to technical or price changes without prior notice

FURTHER INFORMATION about our accessories for mounting of, for example, lights can be found in our folder
"Accessories"

