

Front protection complete with fittings: Brackets, bolts and tool key



Type Highway

<i>Airflow</i>	A62-1
<i>Smooth profile</i>	A62-1S
<i>Mounting kit</i>	80655



Type Offroad

<i>Airflow</i>	B62-1
<i>Smooth profile</i>	B62-1S
<i>Mounting kit</i>	80610

X-Light complete with fittings: Bolts, pre-wired and 4 spotlight clamps



<i>Airflow</i>	K63-3
<i>Smooth profile</i>	K63-3S

Lights not included!

Top-Bar with mounting kit



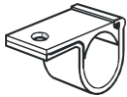
Space Cab (2017-)	No image	Airflow	G63-5
		Smooth profile	G63-5S

Lights and clamps are not included!



Mounting plate for beacon

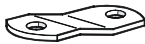
Ø 150mm	15915
Ø 165mm	15917
Ø 240mm	15916



Clamp (for smooth profile) 15902



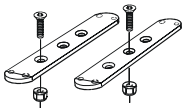
Airflow Clamp 15903



Extension 15912

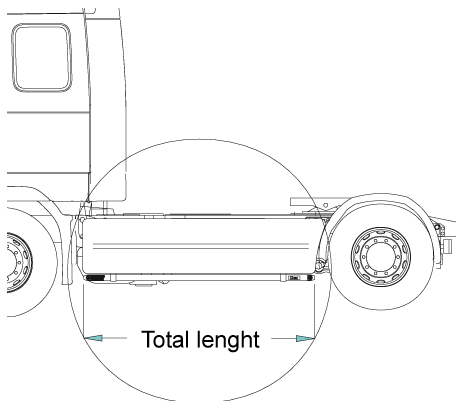


Airflow extension 15923



Universal fitting for roof signs / roof light bars 20409

Sideline



Total length / side 0 – 2500 mm

Airflow	S-1A
Smooth profile	S-1S

Total length / side 2501 – 5000 mm

Airflow	S-2A
Smooth profile	S-2S

FINISH

As standard the accessories are supplied **anodized** in silver color.
Products can also be supplied **sand blasted** for your own lacquering, no additional charge,
or **powder coated** in black or white color or **lacquered** in your own personal color, ask us for a quote.

Brackets comes standard powder coated black, but is possible to get painted in the same color as the front protection

FURTHER INFORMATION about our accessories for mounting of, for example, lights can be found in our folder
"Accessories"

