

Front protection complete with fittings: Brackets, bolts and tool key



Type Highway

<i>Airflow</i>	A62-1
<i>Smooth profile</i>	A62-1S
<i>Mounting kit</i>	80655



Type Offroad

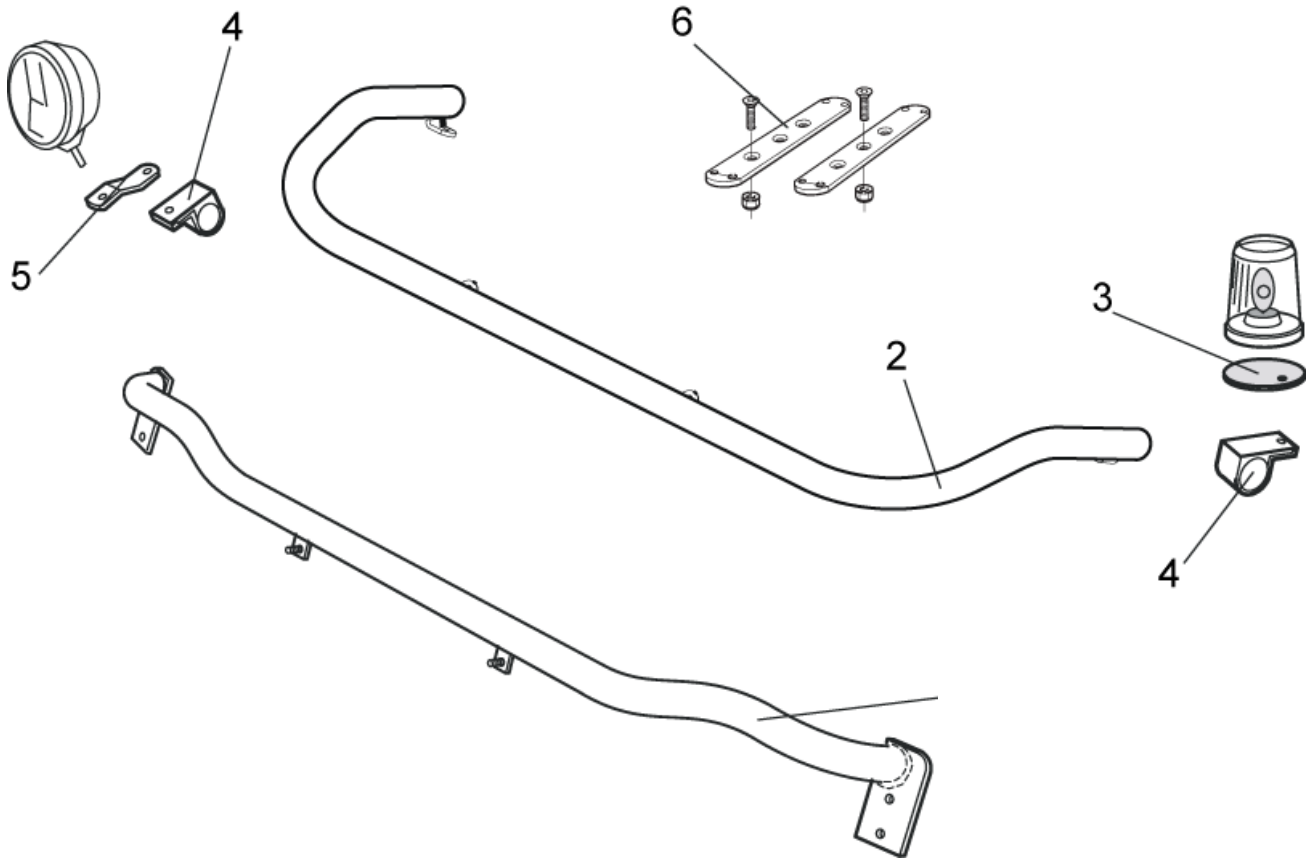
<i>Airflow</i>	B62-1
<i>Smooth profile</i>	B62-1S
<i>Mounting kit</i>	80610

X-Light complete with fittings: Bolts, pre-wired and 4 spotlight clamps



Lights not included!

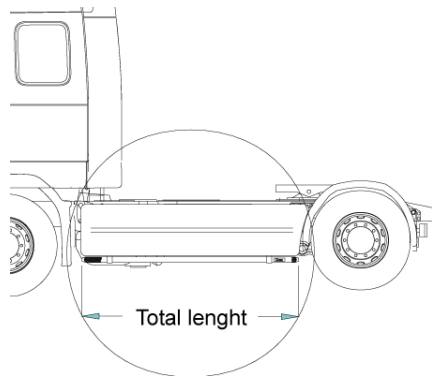
<i>Airflow</i>	K63-3
<i>Smooth profile</i>	K63-3S



Front Top-Bar, with mounting kit

1	For Space Cab (-2016) For Space Cab (2017-)	<i>Smooth profile</i>	G61-1
		<i>Airflow</i>	G63-6
		<i>Smooth profile</i>	G63-6S
2	For Super Space Cab	<i>Airflow</i>	G62-5
		<i>Smooth profile</i>	G62-5S
3	Mounting plate for beacon		
		Ø 150 mm	15915
		Ø 165 mm	15917
		Ø 240 mm	15916
4	Clamp (for smooth profile)		15902
	Airflow clamp		15903
5	Extension		15912
	Airflow extension		15923
6	Universal fitting for roof signs / roof light bars		20409

Sideliner



Total length / side 0 – 2500 mm

Airflow S-1A

Smooth profile S-1S

Total length / side 2501 – 5000 mm

Airflow S-2A

Smooth profile S-2S

FINISH

As standard the accessories are supplied **anodized** in silver color. Products can also be supplied **sand blasted** for your own lacquering, no additional charge, or **powder coated** in black or white color or **lacquered** in your own personal color, ask us for a quote.

Brackets comes standard powder coated black, but is possible to get painted in the same color as the front protection

FURTHER INFORMATION about our accessories for mounting of, for example, lights can be found in our folder **"Accessories"**

