

**Front protection complete with fittings:** Brackets, bolts and tool key



**Type HIGHWAY** for plastic bumper

Airflow	A75-2
Smooth profile	A75-2S
Mounting kit	80756



**Type Offroad** for steel bumper ("kipper")

Smooth profile	B74-2S
Mounting kit	80714

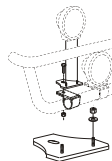
**X-Light complete with fittings:** Bolts, pre-wired and 4 spotlight clamps



For steel bumper ("Kipper")

Airflow	K75-3
Smooth profile	K75-3S

Lights not included!



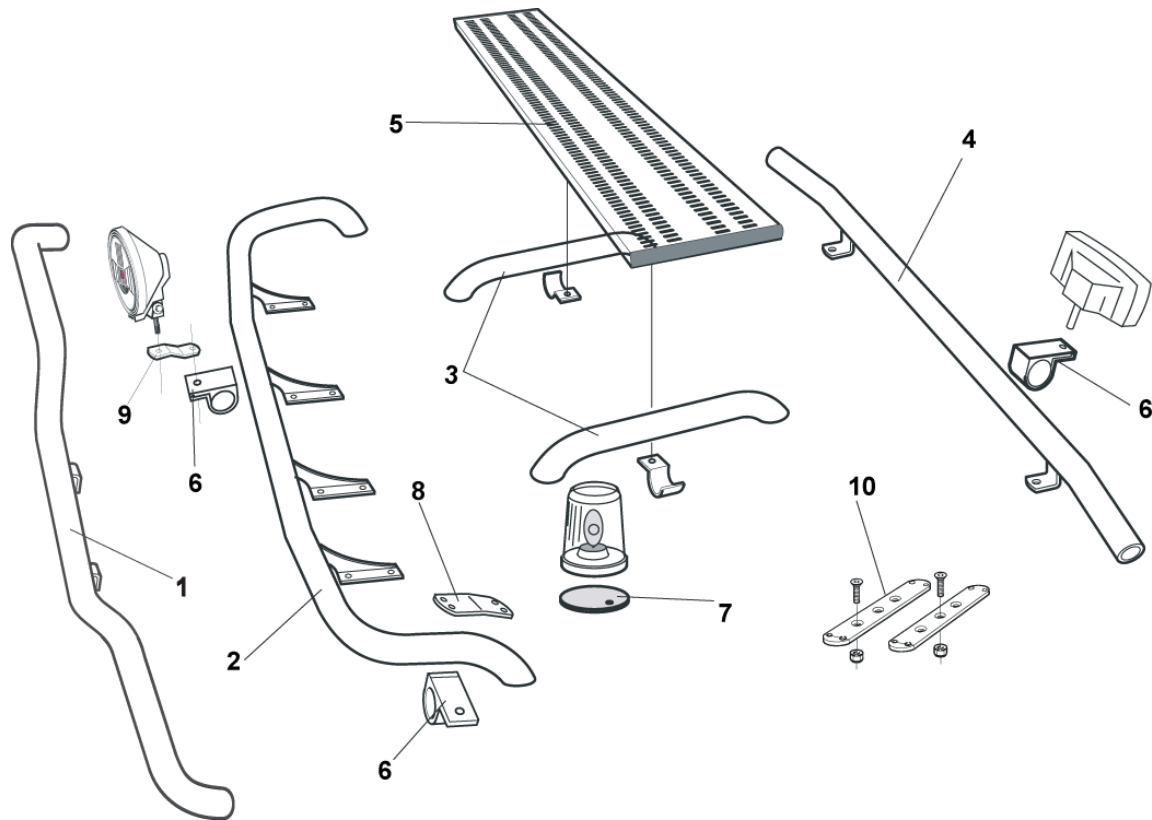
**Mounting plate** for Hella luminator

15907

**Light-Bar with mounting kit**



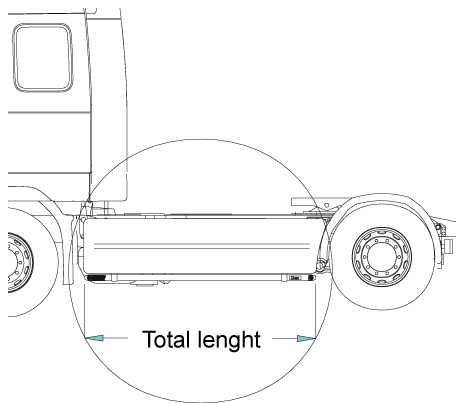
Airflow	H75-2
Smooth profile	H75-2S



**Front Top-Bar, with mounting kit**

1	for <b>LX</b> cab	<i>Smooth profile</i>	G73-3
2	for <b>L</b> and <b>M</b> cab	<i>Smooth profile</i>	G73-4
		<i>Airflow</i>	G73-4A
3	<b>Spacing tube, with mounting kit</b>		
	for <b>L</b> cab	<i>Smooth profile</i>	E73-4
	for <b>M</b> cab	<i>Smooth profile</i>	E73-5
4	<b>Rear Top-Bar, with mounting kit</b>		
	for <b>L</b> and <b>M</b> cab	<i>Smooth profile</i>	G73-7
5	<b>Catwalk, with fittings</b>		15935
6	<b>Clamp</b> (for <i>smooth profile</i> )		15902
	<b>Airflow clamp</b>		15903
7	<b>Mounting plate</b> for beacon	Ø 150 mm	15915
		Ø 165 mm	15917
		Ø 240 mm	15916
8	<b>Angled extension</b> for beacon (8°)		15945
9	<b>Extension</b>		15912
	<b>Airflow extension</b>		15923
10	<b>Universal fitting</b> for roof signs / roof light bars		20409

**Sideline**



**Total length / side 0 – 2500 mm**

Airflow	S-1A
Smooth profile	S-1S

**Total length / side 2501 – 5000 mm**

Airflow	S-2A
Smooth profile	S-2S

**AIRFLOW**

These products are supplied in our AIRFLOW profile as standard.  
The new generation aerodynamic accessories are designed for the highest performance.  
On request, we can also supply the products in the traditional "smooth" profile.



**FINISH**

As standard the accessories are supplied **anodized** in silver color.  
Products can also be supplied **sand blasted** for your own lacquering, no additional charge,  
or **powder coated** in black or white color or **lacquered** in your own personal color, ask us for a quote.

**Brackets** comes standard powder coated black, but is possible to get painted in the same color as the front protection

**FURTHER INFORMATION** about our accessories for mounting of, for example, lights can be found in our folder  
**"Accessories"**