

Front protection complete with fittings: Brackets, bolts and tool key



Type HIGHWAY for plastic bumper

Airflow	A75-2
Smooth profile	A75-2S
Mounting kit	80759



Type Offroad for steel bumper ("kipper")

Smooth profile	B74-2S
----------------	--------

Mounting kit for bumper cover with vertical measure **590 mm** above the inner corner of the headlight 80715

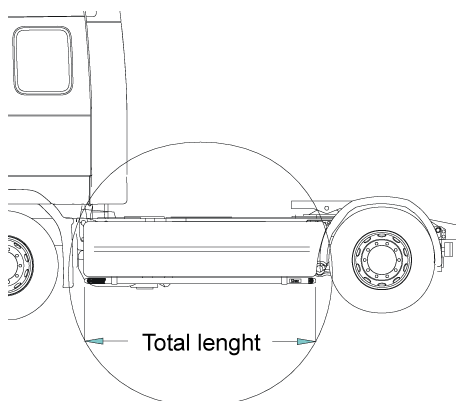
Mounting kit for bumper cover with vertical measure **670 mm** above the inner corner of the headlight 80716

Light-Bar with mounting kit



Airflow	H75-2
Smooth profile	H75-2S

Sideline

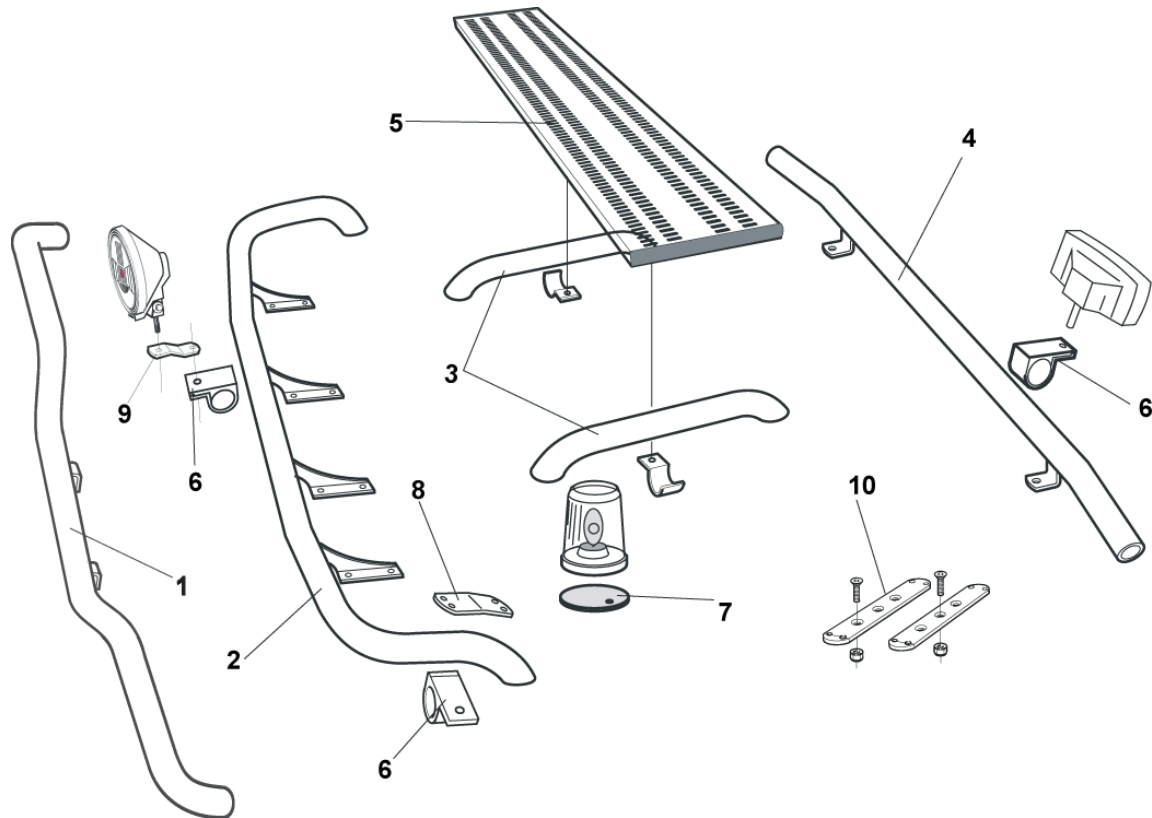


Total length / side 0 – 2500 mm

Airflow	S-1A
Smooth profile	S-1S

Total length / side 2501 – 5000 mm

Airflow	S-2A
Smooth profile	S-2S



Front Top-Bar, with mounting kit

1	for TM cab	<i>Smooth profile</i>	G73-3
2	for TN and NN cab	<i>Smooth profile</i>	G73-4
		<i>Airflow</i>	G73-4A
3	Spacing tube, with mounting kit		
	for TN cab	<i>Smooth profile</i>	E73-4
	for NN cab	<i>Smooth profile</i>	E73-5
4	Rear Top-Bar, with mounting kit		
	for TN and NN cab	<i>Smooth profile</i>	G73-7
5	Catwalk, with fittings		15935
6	Clamp (for <i>smooth profile</i>)		15902
	Airflow clamp		15903
7	Mounting plate for beacon	Ø 150 mm	15915
		Ø 165 mm	15917
		Ø 240 mm	15916
8	Angled extension for beacon (8°)		15945
9	Extension		15912
	Airflow extension		15923
10	Universal fitting for roof signs / roof light bars		20409

FINISH

As standard the accessories are supplied **anodized** in silver color.
Products can also be supplied **sand blasted** for your own lacquering, no additional charge,
or **powder coated** in black or white color or **lacquered** in your own personal color, ask us for a quote.

Brackets comes standard powder coated black, but is possible to get painted in the same color as the front protection

FURTHER INFORMATION about our accessories for mounting of, for example, lights can be found in our folder

"Accessories"