

Front protection complete with fittings: Brackets, bolts and tool key



Type HIGHWAY for plastic bumper

<i>Airflow</i>	A75-1
<i>Smooth profile</i>	A75-1S
<i>Mounting kit</i>	80758



Type OFFROAD for 'Kipper'

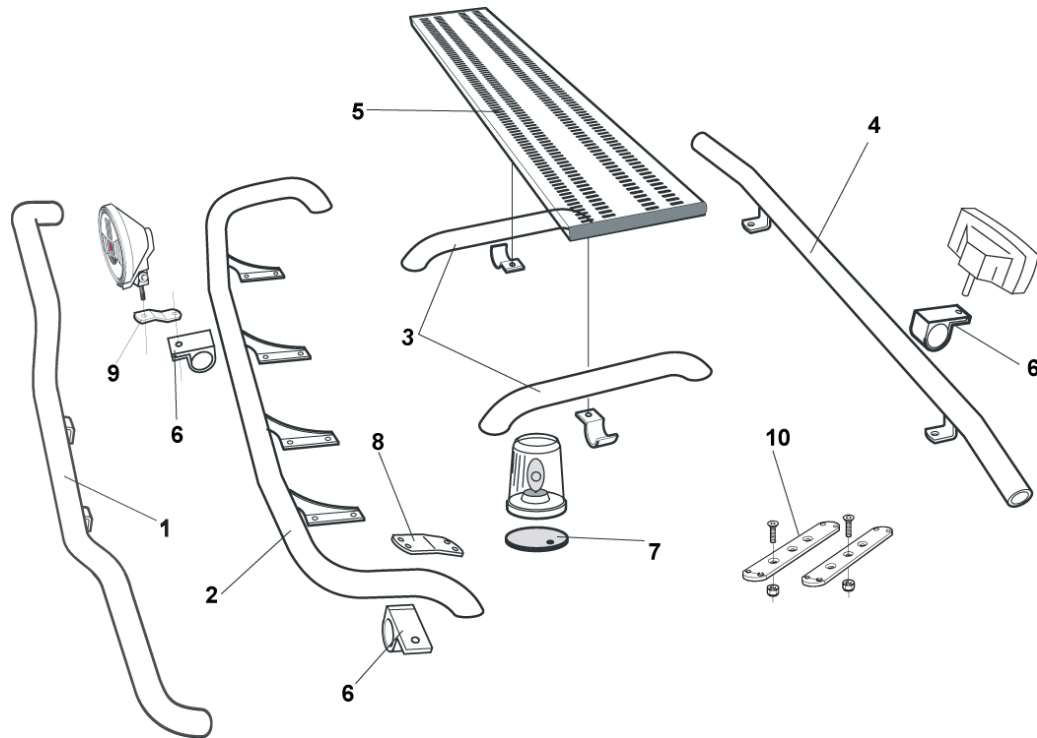
<i>Smooth profile</i>	B74-1S
<i>Mounting kit</i>	80717

Light-Bar with mounting kit



<i>Airflow</i>	H73-3A
<i>Smooth profile</i>	H73-3S

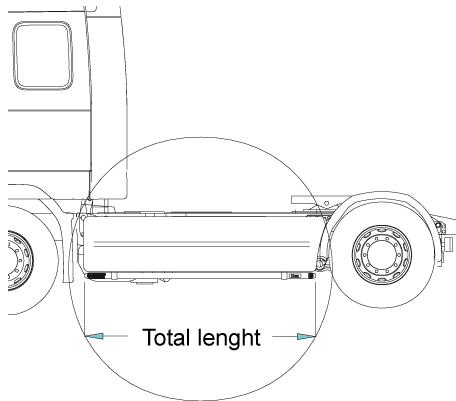
Lights and clamps are not included!



Front Top-Bar, with mounting kit

1	for GX cab	<i>Airflow</i>	G75-1
		<i>Smooth profile</i>	G75-1S
	for GM cab	<i>Airflow</i>	G73-1A
		<i>Smooth profile</i>	G73-1
2	for GN cab	<i>Smooth profile</i>	G73-2
3	Spacing tube , with mounting kit for GN cab	<i>Smooth profile</i>	E73-2
4	Rear Top-Bar , with mounting kit for GN cab	<i>Smooth profile</i>	G73-6
5	Catwalk with fittings		15935
6	Clamp (for smooth profile)		15902
	Airflow clamp		15903
7	Mounting plate for beacon	Ø 150 mm	15915
		Ø 165 mm	15917
		Ø 240 mm	15916
8	Angled extension for beacon (8°)		15945
9	Extension		15912
	Airflow extension		15923
10	Universal fitting for roof signs / roof light bars		20409

Sideliner



Total length / side 0 – 2500 mm

<i>Airflow</i>	S-1A
<i>Smooth profile</i>	S-1S

Total length / side 2501 – 5000 mm

<i>Airflow</i>	S-2A
<i>Smooth profile</i>	S-2S

FINISH

As standard the accessories are supplied **anodized** in silver color.
 Products can also be supplied **sand blasted** for your own lacquering, no additional charge,
 or **powder coated** in black or white color or **lacquered** in your own personal color, ask us for a quote.

Brackets comes standard powder coated black, but is possible to get painted in the same color as the front protection

Note! *Catwalks come anodized only.*

FURTHER INFORMATION about our accessories for mounting of, for example, lights can be found in our folder

"Accessories"