

Front protection complete with fittings: Brackets, bolts and tool key



Offroad Atego (6,5-15t)

<i>Smooth profile</i>	B43-3
<i>Mounting kit</i>	80414

Light-Bar with mounting kit

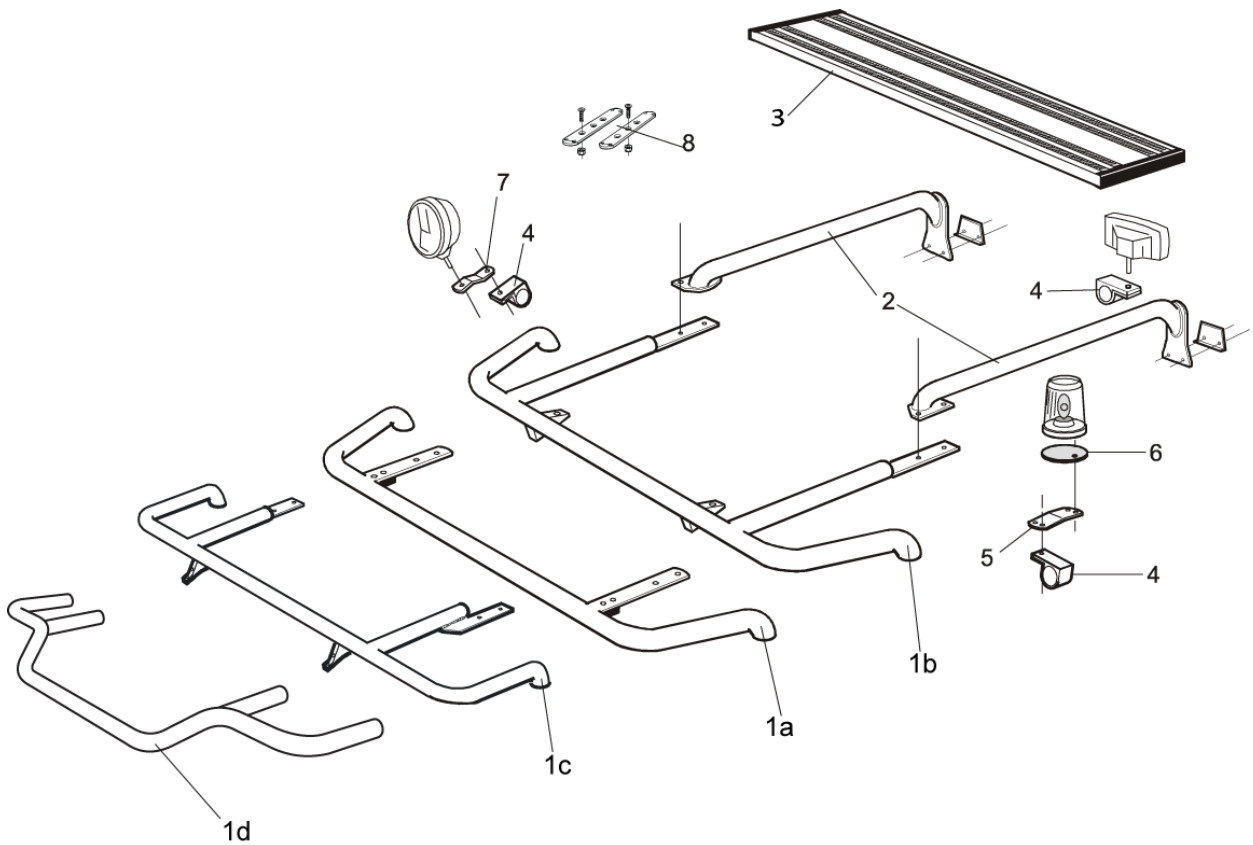


Atego

<i>Smooth profile</i>	H43-3
-----------------------	-------

Lights and clamps are not included!





1.	Front Top-Bar , with mounting kit			
a	For S-cab (F07)	<i>Smooth profile</i>	G43-3	
b	For L-cab (F04)	<i>Smooth profile</i>	G43-4	
c	For LH-cab (F04 DD5)	<i>Smooth profile</i>	G43-1	
d	For LH-cab (F04 DD5)	<i>Smooth profile</i>	G43-5	Expired
2.	Spacing tube , with mounting kit			
	For S-cab (F07)	<i>Smooth profile</i>	E43-3	
	For L-cab (F04)	<i>Smooth profile</i>	E43-4	Expired
	For LH-cab (F04 DD5)	<i>Smooth profile</i>	E43-1	Expired
3.	Catwalk , with fittings		15927	
4.	Clamp		15902	
5.	Angled extension for beacon (8°)		15945	
6.	Mounting plate for beacon	Ø 150 mm	15915	
		Ø 165 mm	15917	
		Ø 240 mm	15916	
7.	Extension		15912	
8.	Universal fitting for roof signs / roof light bars		20409	

FINISH

As standard the accessories are supplied **anodized** in silver color.
 Products can also be supplied **sand blasted** for your own lacquering, no additional charge,
 or **powder coated** in black or white color or **lacquered** in your own personal color, ask us for a quote.

Brackets comes standard powder coated black, but is possible to get painted in the same color as the front protection

Note! Catwalks come anodized only.

FURTHER INFORMATION about our accessories for mounting of, for example, lights can be found in our folder
"Accessories"