

Front protection complete with fittings: Brackets, bolts and tool key



Type HIGHWAY

<i>Airflow</i>	A23-3
<i>Smooth profile</i>	A23-3S

Mounting kit	
<i>Low bumper / normal chassis</i>	80262
<i>Low bumper / wide chassis</i>	80260
<i>High bumper / normal and wide chassis</i>	80261



Type OFFROAD for low bumper

<i>Airflow</i>	B23-3
<i>Smooth profile</i>	B23-3S

Mounting kit	
<i>Low bumper / normal chassis</i>	80219
<i>Low bumper / wide chassis</i>	80218



Type OFFROAD for high bumper

<i>Airflow</i>	B23-5
<i>Smooth profile</i>	B23-5S

Mounting kit	
<i>High bumper / normal and wide chassis</i>	80217
<i>50 mm protruding bumper/ wide chassis</i>	80222
<i>50 mm protruding bumper / normal chassis</i>	80223
<i>130 mm protruding bumper / wide chassis</i>	80224

Light-Bar with mounting kit



<i>Airflow</i>	H23-2
<i>Smooth profile</i>	H23-2S

Lights and clamps are not included!

X-Light complete with fittings: Bolts, pre- wired and 4 spotlight clamps



For low bumper	<i>Airflow</i>	K23-2
	<i>Smooth profile</i>	K23-2S
	<i>Mounting kit for wide with low bumper</i>	20528

X-Light LP complete with fittings: Bolts, pre- wired and 4 spotlight clamps

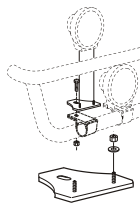


For high / low bumper	<i>Airflow</i>	K23-3
	<i>Mounting kit for wide with low bumper</i>	20528
	<i>Mounting kit for wide with high bumper</i>	20529

X-Light HB complete with fittings: Bolts, pre- wired and 4 spotlight clamps



For high bumper	<i>Airflow</i>	K23-5
	<i>Smooth profile</i>	K23-5S
	<i>Mounting kit for wide with high bumper</i>	20529

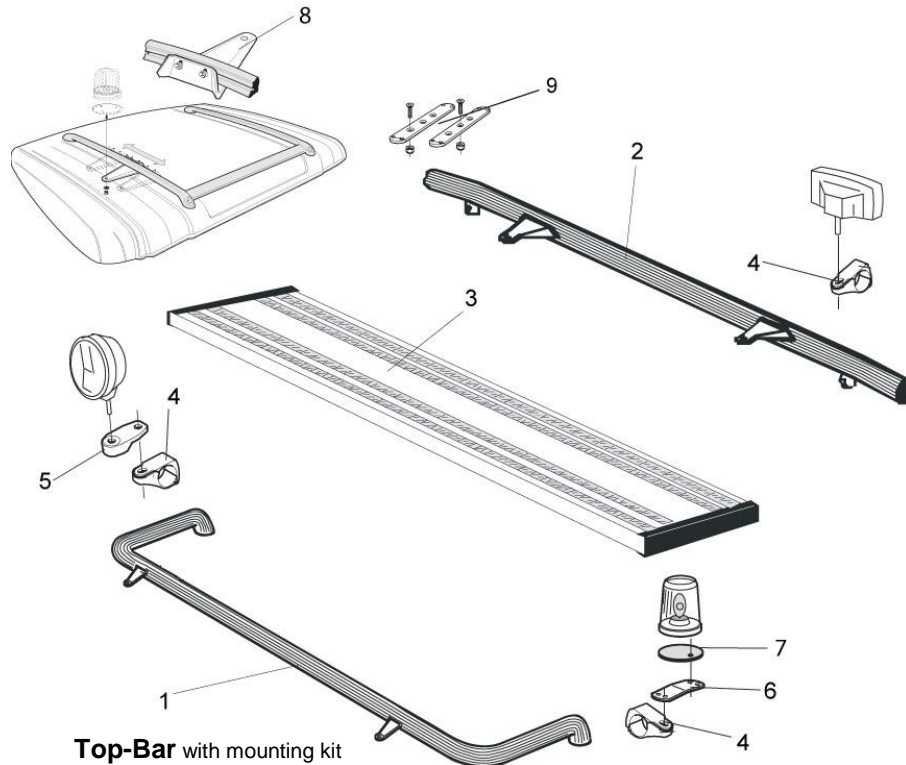


Mounting plate for Hella luminator 15907

X-Bar with mounting kit



	<i>Airflow</i>	H23-3
	<i>Smooth profile</i>	H23-3S
	<i>Mounting kit for wide with low bumper</i>	20528
	<i>Mounting kit for wide with high bumper</i>	20529



Pos. 1	Top-Bar with mounting kit for C14L, C16L and C19L	<i>Airflow</i> <i>Smooth profile</i>	G23-1 G23-1S
	for C19N	<i>Airflow</i> <i>Smooth profile</i>	G23-2 G23-2S
	for C19H	<i>Airflow</i> <i>Smooth profile</i>	G23-6 G23-6S
Pos. 2	Rear Top-Bar with mounting kit for C14L, C16L and C19L	<i>Airflow</i> <i>Smooth profile</i>	G23-5 G23-5S
	for C19N and C19H	<i>Airflow</i> <i>Smooth profile</i>	G23-4 G23-4S
Pos. 3	Catwalk , with fittings		15938
Pos. 4	Airflow clamp		15903
	Clamp (for smooth profile)		15902
Pos. 5	Airflow extension		15923
	Extension		15912
Pos. 6	Angled extension for beacon	8° (for G23-1) 17° (for G23-2) 50° (for G23-6)	15945 15946 15947
Pos. 7	Mounting plate for beacon	Ø 150 mm Ø 165 mm Ø 240 mm	15915 15917 15916
Pos. 8	Mounting bracket for accessories to fit original roof rails		17920
Pos. 9	Universal fitting for roof signs / roof light bars		20409

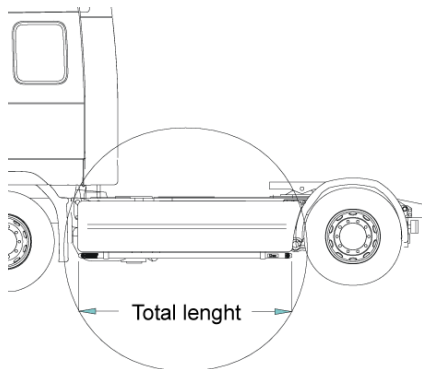
U-Bar with mounting kit (can't be combined with front protection)



For **high / low** bumper

<i>Airflow</i>	L23-2
<i>Smooth profile</i>	L23-2S

Sideline



Total length / side 0 – 2500 mm

<i>Airflow</i>	S-1A
<i>Smooth profile</i>	S-1S

Total length / side 2501 – 5000 mm

<i>Airflow</i>	S-2A
<i>Smooth profile</i>	S-2S

AIRFLOW

These products are supplied in our AIRFLOW profile as standard.
The new generation aerodynamic accessories are designed for the highest performance.
On request, we can also supply the products in the traditional "smooth" profile.



FINISH

As standard the accessories are supplied **anodized** in silver color.
Products can also be supplied **sand blasted** for your own lacquering, no additional charge,
or **powder coated** in black or white color or **lacquered** in your own personal color, ask us for a quote.

Brackets comes standard powder coated black, but is possible to get painted in the same color as the front protection

Note! Catwalks come anodized only.

FURTHER INFORMATION about our accessories for mounting of, for example, lights can be found in our folder

"Accessories"