

Front protection complete with fittings: Brackets, bolts and tool key



Type HIGHWAY

Airflow A23-2
Smooth profile A23-2S

Mounting kit
Low bumper / normal chassis 80262
Low bumper / wide chassis 80260



Type HIGHWAY

Airflow A23-3
Smooth profile A23-3S

Mounting kit
Low bumper / normal chassis 80262
Low bumper / wide chassis 80260
High bumper / normal and wide chassis 80261



Type OFFROAD for low bumper

Airflow B23-2
Smooth profile B23-2S

Mounting kit
Low bumper / normal chassis 80219
Low bumper / wide chassis 80218



Type OFFROAD for low bumper

Airflow B23-3
Smooth profile B23-3S

Mounting kit
Low bumper / normal chassis 80219
Low bumper / wide chassis 80218



Type OFFROAD for high bumper

Airflow B23-5
Smooth profile B23-5S

Mounting kit
High bumper / normal and wide chassis 80217
50 mm protruding bumper / wide chassis 80222
50 mm protruding bumper / normal chassis 80223
130 mm protruding bumper / wide chassis 80224

X-Light complete with fittings: Bolts, pre- wired and 4 spotlight clamps



Lights not included!

For low bumper	<i>Airflow</i>	K23-2
	<i>Smooth profile</i>	K23-2S
<i>Mounting kit for wide chassis</i>		20528

X-Light LP complete with fittings: Bolts, pre- wired and 4 spotlight clamps



Lights not included!

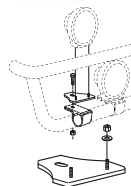
For high / low bumper	<i>Airflow</i>	K23-3
	<i>Smooth profile</i>	K23-3S
<i>Mounting kit for wide with low bumper</i>		20528
<i>Mounting kit for wide with high bumper</i>		20529

X-Light HB complete with fittings: Bolts, pre- wired and 4 spotlight clamps



Lights not included!

For high bumper	<i>Airflow</i>	K23-5
	<i>Smooth profile</i>	K23-5S
<i>Mounting kit for wide with high bumper</i>		20529



Mounting plate for Hella luminator 15907

Light-Bar with mounting kit



Lights and clamps are not included!

<i>Airflow</i>	H23-2
<i>Smooth profile</i>	H23-2S

X-Bar with mounting kit



Lights and clamps are not included!

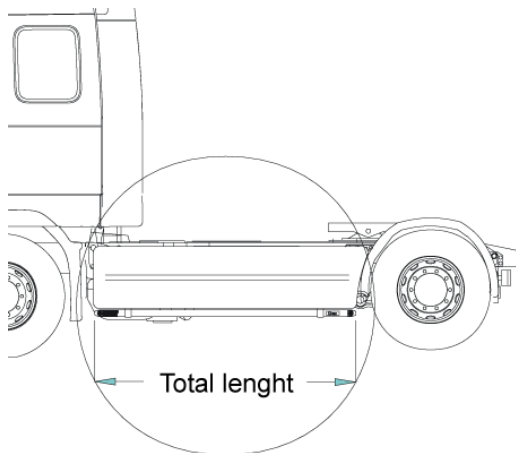
	<i>Airflow</i>	H23-3
	<i>Smooth profile</i>	H23-3S
<i>Mounting kit for wide with low bumper</i>		20528
<i>Mounting kit for wide with high bumper</i>		20529

U-Bar with mounting kit (can't be combined with front protection)



For high / low bumper	<i>Airflow</i>	L23-2
	<i>Smooth profile</i>	L23-2S

Sideliner

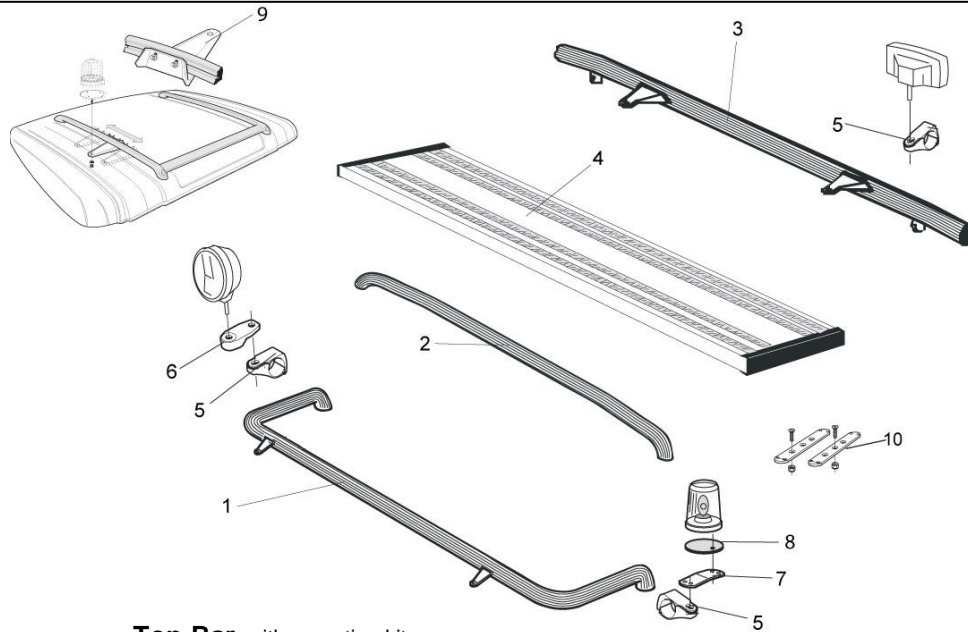


Total length / side 0 – 2500 mm

<i>Airflow</i>	S-1A
<i>Smooth profile</i>	S-1S

Total length / side 2501 – 5000 mm

<i>Airflow</i>	S-2A
<i>Smooth profile</i>	S-2S



Pos. 1	Top-Bar , with mounting kit for C16L and C19L	<i>Airflow</i>	G23-1	
	for C19N	<i>Smooth profile</i>	G23-1S	
	for C19H	<i>Airflow</i>	G23-2	
	for C19T	<i>Smooth profile</i>	G23-2S	
		<i>Airflow</i>	G23-6	
		<i>Smooth profile</i>	G23-6S	
		<i>Airflow</i>	G23-3	
		<i>Smooth profile</i>	G23-3S	
Pos. 2	Top-Bar , high model (for example. roof light signs) with mounting kit for C19T	<i>Airflow</i>	G23-7	<i>Expired!</i>
		<i>Smooth profile</i>	G23-7S	<i>Expired!</i>
Pos. 3	Rear Top-Bar , with mounting kit for C16L and C19L	<i>Airflow</i>	G23-5	
	for C19N and C19H	<i>Smooth profile</i>	G23-5S	
		<i>Airflow</i>	G23-4	
		<i>Smooth profile</i>	G23-4S	
Pos. 4	Catwalk with fittings		15938	
Pos. 5	Airflow clamp		15903	
	Clamp (for smooth profile)		15902	
Pos. 6	Airflow extension		15923	
	Extension		15912	
Pos. 7	Angled extension for beacon	8° (G23-1)	15945	
		17° (G23-2)	15946	
		50° (G23-6 and G23-3)	15947	
Pos. 8	Mounting plate for beacon	Ø 150 mm	15915	
		Ø 165 mm	15917	
		Ø 240 mm	15916	
Pos. 9	Mounting bracket for accessories to fit original roof rails		17920	
Pos. 10	Universal fitting for roof signs / roof light bars		20409	

AIRFLOW

These products are supplied in our AIRFLOW profile as standard.
The new generation aerodynamic accessories are designed for the highest performance.
On request, we can also supply the products in the traditional "smooth" profile.



FINISH

As standard the accessories are supplied **anodized** in silver color.
Products can also be supplied **sand blasted** for your own lacquering, no additional charge,
or **powder coated** in black or white color or **lacquered** in your own personal color, ask us for a quote.

Brackets comes standard powder coated black, but is possible to get painted in the same color as the front protection

Note! *Catwalks come anodized only.*

FURTHER INFORMATION about our accessories for mounting of, for example, lights can be found in our folder
"Accessories"