

Front protection complete with fittings: Brackets, bolts and tool key



Type HIGHWAY for normal bumper

<i>Airflow</i>	A16-2
<i>Smooth profile</i>	A16-2S
<i>Mounting kit</i>	80161



Type OFFROAD for normal bumper

<i>Airflow</i>	B16-2
<i>Smooth profile</i>	B16-2S
<i>Mounting kit</i>	80122

Type OFFROAD for **Bump-HD** (no image)

<i>Airflow</i>	B16-4
<i>Smooth profile</i>	B16-4S
<i>Mounting kit</i>	80125

Type OFFROAD for **Bump-HD** with tow bar *PCA70062* (no image)

<i>Airflow</i>	B16-4T
<i>Smooth profile</i>	B16-4TS
<i>Mounting kit</i>	80126

Light-Bar with mounting kit



<i>Airflow</i>	H16-2
<i>Smooth profile</i>	H16-2S

Lights and clamps are not included!

X-Light complete with fittings: Bolts, pre- wired and 4 spotlight clamps



Airflow K16-2
Smooth profile K16-2S

(Should not be mounted on trucks with adaptive cruise control and/or FLS)

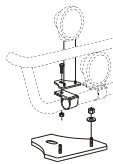
Lights not included!

X-Light high complete with fittings: Bolts, pre- wired and 4 spotlight clamps



Airflow K16-3
Smooth profile K16-3S

Lights not included!



Mounting plate for Hella luminator 15907

X-Bar with mounting kit



Airflow H16-4
Smooth profile H16-4S

Lights and clamps are not included!

X-Bar Low, with mounting kit



Airflow H16-5
Smooth profile H16-5S

Lights and clamps are not included!

U-Bar with mounting kit



Airflow L16-2
Smooth profile L16-2S

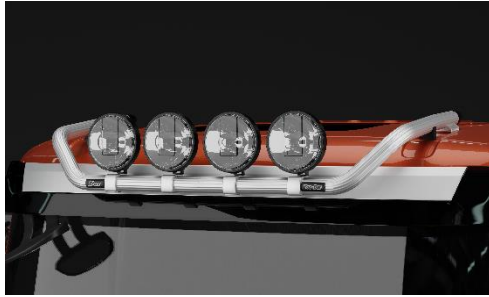
Top-Bar with mounting kit



Lights and clamps are not included!

For **Sleep cab (SLP)**

Airflow	G16-2
Smooth profile	G16-2S



Lights and clamps are not included!

Low model

For **Sleep cab (SLP)**

Airflow	G16-7
Smooth profile	G16-7S



Lights and clamps are not included!

For **Glob (HSLP)** and **Glob XL (XHSL)**

Airflow	G16-4
Smooth profile	G16-4S



Lights and clamps are not included!

Wide model

for **Sleep cab (SLP)**, **Glob (HSLP)** and **Glob XL (XHSL)**

Airflow	G16-6
Smooth profile	G16-6S

Cable with Volvo contact for front Top-Bar (G16-2/4/6)



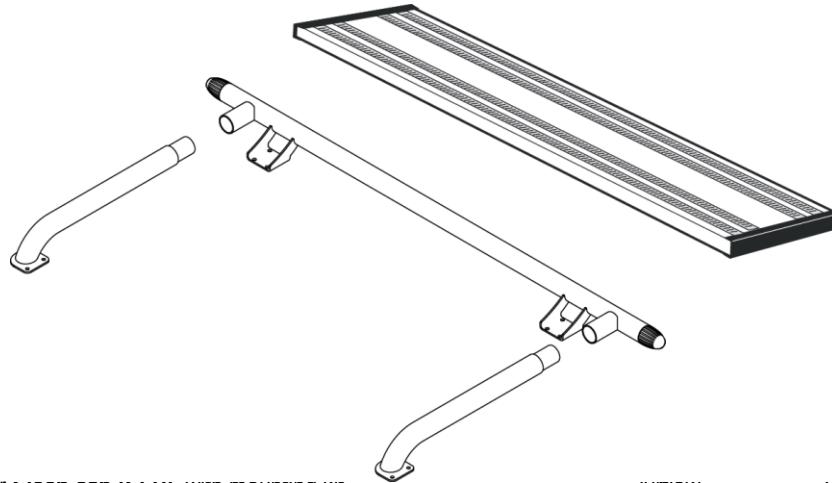
For 2 warning lights (needs preparation on truck)

Cable to the left	98186
Cable to the right	98187

For 4 spotlights (needs preparation (SPOTP.R) on truck)

Cable to the left	98188
-------------------	-------

Roof mounting



Rear Top-Bar for Sleep cab (SLP), with mounting kit	<i>Airflow</i>	G16-1
	<i>Smooth profile</i>	G16-1S
Rear Top-Bar for Glob and Glob XL (HSLP and XHSL), with mounting kit	<i>Airflow</i>	G16-3
	<i>Smooth profile</i>	G16-3S
Spacing tube for Sleep cab (SLP), with mounting kit	<i>Airflow</i>	E16-2
Spacing tube for Glob and Glob XL (HSLP and XHSL), with mounting kit	<i>Airflow</i>	E16-3
Catwalk, with fittings		15935

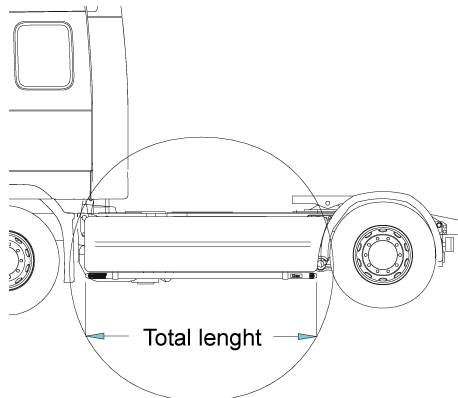
Rear Light-Bar with mounting kit



Lights and clamps are not included!

<i>Airflow</i>	P16-2
----------------	-------

Sideliner










Total length / side 0 – 2500 mm

<i>Airflow</i>	S-1A
<i>Smooth profile</i>	S-1S

Total length / side 2501 – 5000 mm

<i>Airflow</i>	S-2A
<i>Smooth profile</i>	S-2S

	AF clamp	15903
	Clamp (for smooth profile)	15902
	AF extension	15923
	Extension	15912
	Mounting plate for beacon	
	Ø 150 mm	15915
	Ø 165 mm	15917
	Ø 240 mm	15916
	Angled extension for beacon	
	for Sleep cab (SLP) 8°	15945
	for Glob (HSLP) 17°	15946
	for Glob XL (XHSL) 29°	15952
	Universal fitting for roof signs / roof light bars	20409

AIRFLOW

These products are supplied in our AIRFLOW profile as standard.
 This generation of aerodynamic accessories are designed for the highest performance.
 On request, we can also supply the products in the traditional "smooth" profile.



FINISH

As standard the accessories are supplied **anodized** in silver color.
 Products can also be supplied **sand blasted** for your own lacquering, no additional charge,
 or **powder coated** in black or white color or **lacquered** in your own personal color, ask us for a quote.

Brackets comes standard powder coated black, but is possible to get painted in the same color as the front protection

Note! Catwalks come anodized only.

FURTHER INFORMATION about our accessories for mounting of, for example, lights can be found in our folder

"Accessories"