

Front protection, complete with fittings: Brackets, bolts and tool key



Type HIGHWAY for normal bumper

<i>Airflow</i>	A16-2
<i>Smooth profile</i>	A16-2S
<i>Mounting kit</i>	80161



Type OFFROAD for normal bumper

<i>Airflow</i>	B16-2
<i>Smooth profile</i>	B16-2S
<i>Mounting kit</i>	80122

Type OFFROAD for **Bump-HD** (no image)

<i>Airflow</i>	B16-4
<i>Smooth profile</i>	B16-4S
<i>Mounting kit</i>	80125

Type OFFROAD for **Bump-HD** with tow bar *PCA70062* (no image)

<i>Airflow</i>	B16-4T
<i>Smooth profile</i>	B16-4TS
<i>Mounting kit</i>	80126

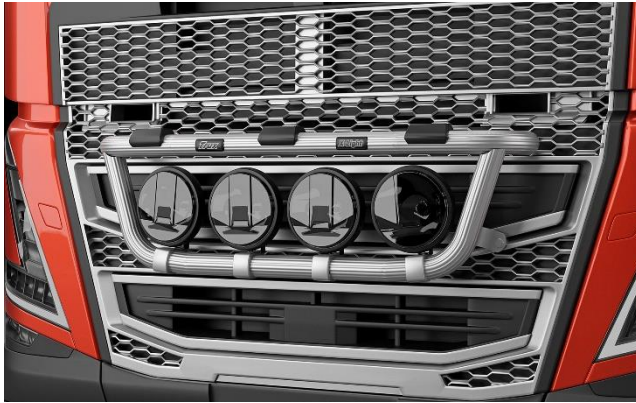
Light-Bar with mounting kit



<i>Airflow</i>	H16-6
<i>Smooth profile</i>	H16-6S

Lights and clamps are not included!

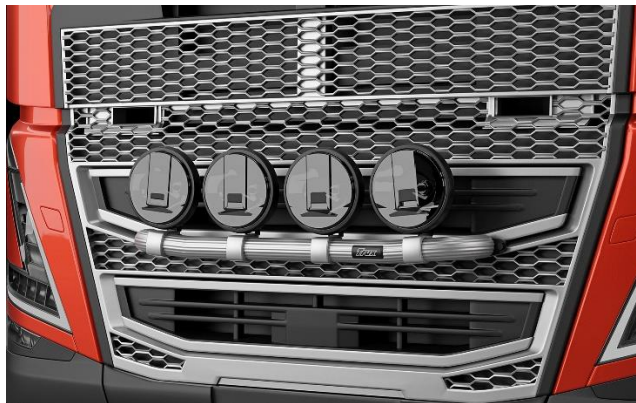
X-Light, complete with fittings: Bolts, pre-wired and 4 spotlight clamps



Airflow K16-3
Smooth profile K16-3S

Lights not included!

X-Bar, with mounting kit



Airflow H16-4
Smooth profile H16-4S

Lights not included!

U-Bar, with mounting kit



Airflow L16-2
Smooth profile L16-2S

Rear Light-Bar, with Mounting kit



Airflow P16-2

Lights and clamps are not included!

Top-Bar, with mounting kit



Lights and clamps are not included!

for **Sleep cab (SLP)**

<i>Airflow</i>	G16-2
<i>Smooth profile</i>	G16-2S



Lights and clamps are not included!

Low model,
for **Sleep cab (SLP)**

<i>Airflow</i>	G16-7
<i>Smooth profile</i>	G16-7S



Lights and clamps are not included!

för **Glob (HSLP), Glob XL (XHSL)**
and **Glob XXL**

<i>Airflow</i>	G16-4
<i>Smooth profile</i>	G16-4S



Lights and clamps are not included!

Wide model,
for **Sleep cab (SLP), Glob (HSLP)**
Glob XL (XHSL) and Glob XXL

<i>Airflow</i>	G16-6
<i>Smooth profile</i>	G16-6S

Cable with Volvo contact for front Top-Bar (G16-2/4/6)



For 2 warning lights (needs preparation on truck)

Cable to the left	98186
Cable to the right	98187

For 4 spotlights (needs preparation (SPOTP.R) on truck)

Cable to the left	98188
-------------------	-------

Rear Top-Bar, with mounting kit

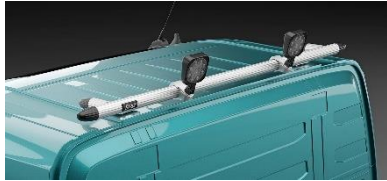


for **Sleep cab (SLP)**

Airflow G16-1

Smooth profile G16-1S

(Lights and clamps are not included!)



for **Glob (HSLP)** and **Glob XL (XHSL)**

Airflow G16-3

Smooth profile G16-3S

(Lights and clamps are not included!)

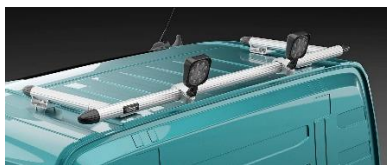
Spacing tube, with mounting kit *(must be combined with a rear Top-Bar)*



for **Sleep cab (SLP)**

Airflow E16-2

(image show Top-Bar G16-1 with spacing tube E16-2, lights and clamps are not included)



for **Glob (HSLP)** and **Glob XL (XHSL)**

Airflow E16-3

(image show rear Top-Bar G16-3 with spacing tube E16-3, lights and clamps are not included)



AF Clamp 15903



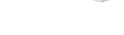
Clamp *(for Smooth profile)* 15902



AF extension 15923



Extension 15912



Mounting plate for beacon

Ø 150 mm 15915

Ø 165 mm 15917

Ø 240 mm 15916



Angled extension for beacon

for **Day cab (DAY)** and **Sleep cab (SLP)** 8° 15945

for **Glob (HSLP)** 17° 15946

for **Glob XL (XHSL)** 29° 15952

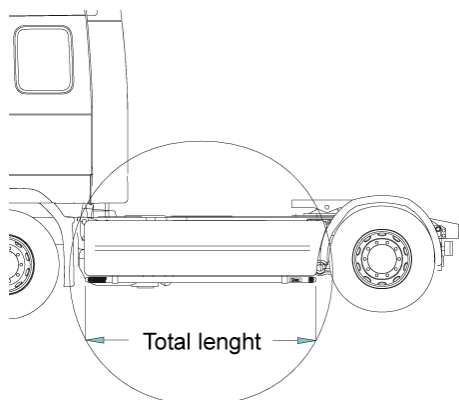


Universal fitting for roof signs / roof light bars 20409



Catwalk, with fittings 15935

Sidelineer



Total length / side 0 – 2500 mm

Airflow S-1A

Smooth profile S-1S

Total length / side 2501 – 5000 mm

Airflow S-2A

Smooth profile S-2S

AIRFLOW

These products are supplied in our AIRFLOW profile as standard.
This generation of aerodynamic accessories are designed for the highest performance.
On request, we can also supply the products in the traditional "smooth" profile.



FINISH

As standard the accessories are supplied **anodized** in silver color.
Products can also be supplied **sand blasted** for your own lacquering, no additional charge,
or **powder coated** in black or white color or **lacquered** in your own personal color, ask us for a quote.

Brackets comes standard powder coated black, but is possible to get painted in the same color as the front protection

Note! Catwalks come anodized only.

FURTHER INFORMATION about our accessories for mounting of, for example, lights can be found in our folder

"Accessories"