

Front protection complete with fittings: Brackets, bolts and tool key



Type HIGHWAY

<i>Airflow</i>	A14-3
<i>Smooth profile</i>	A14-3S
<i>Mounting kit</i>	80160



Type OFFROAD

<i>Airflow</i>	B14-3
<i>Smooth profile</i>	B14-3S
<i>Mounting kit</i>	80120

Light-Bar with mounting kit



<i>Airflow</i>	H14-4
<i>Smooth profile</i>	H14-4S

Lights and clamps are not included!

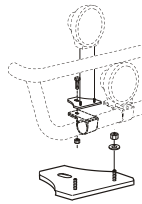
X-Light complete with fittings: Bolts, pre-wired and 4 spotlight clamps



Lights not included!

Airflow K14-2

Smooth profile K14-2S



Mounting plate for Hella luminator

15907

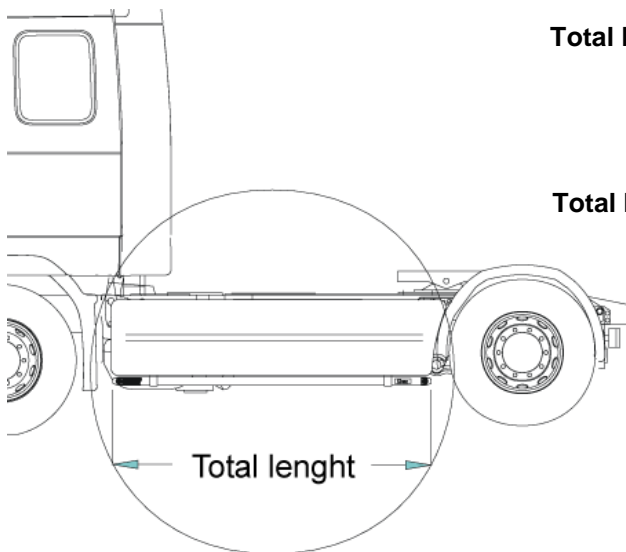
U-Bar with mounting kit (can't be combined with Highway)



Airflow L14-2

Smooth profile L14-2S

Sideline



Total length / side 0 – 2500 mm

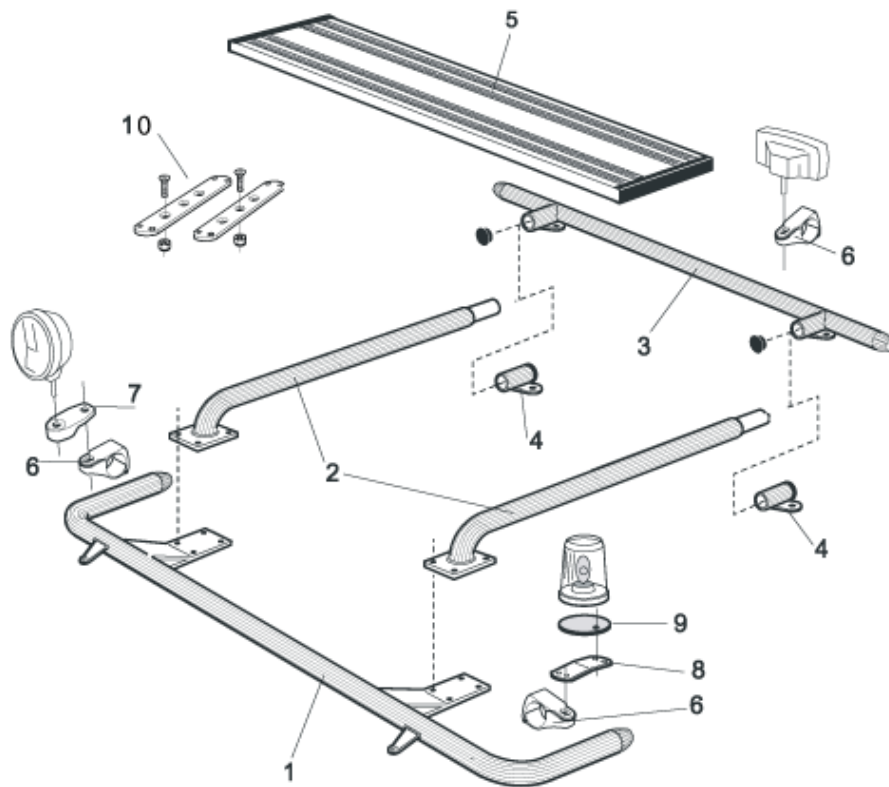
Airflow S-1A

Smooth profile S-1S

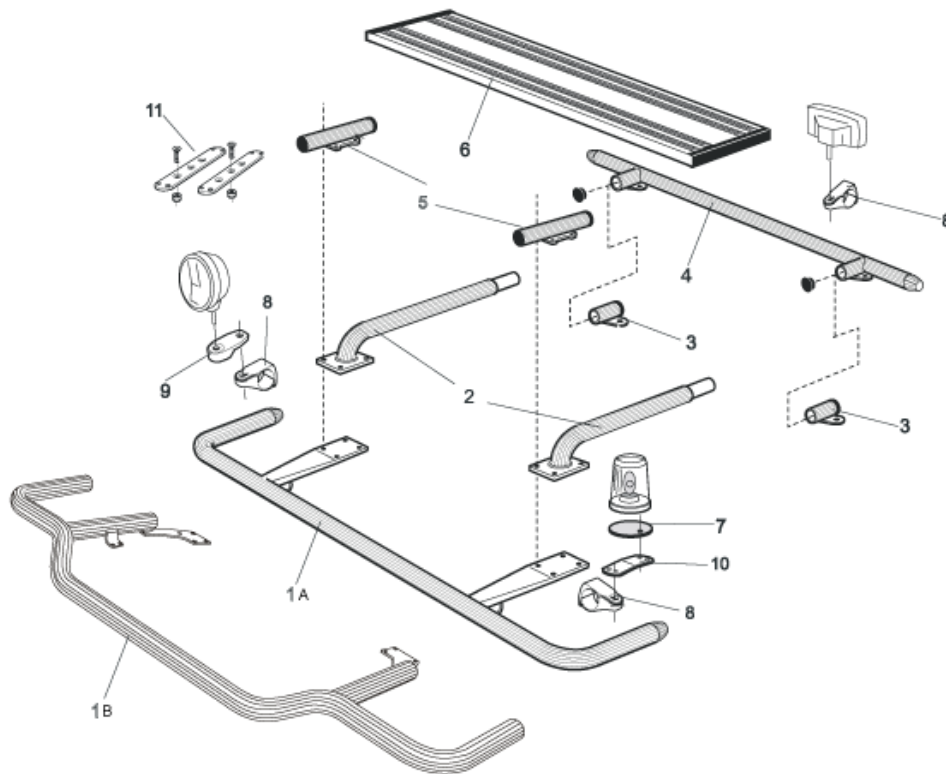
Total length / side 2501 – 5000 mm

Airflow S-2A

Smooth profile S-2S

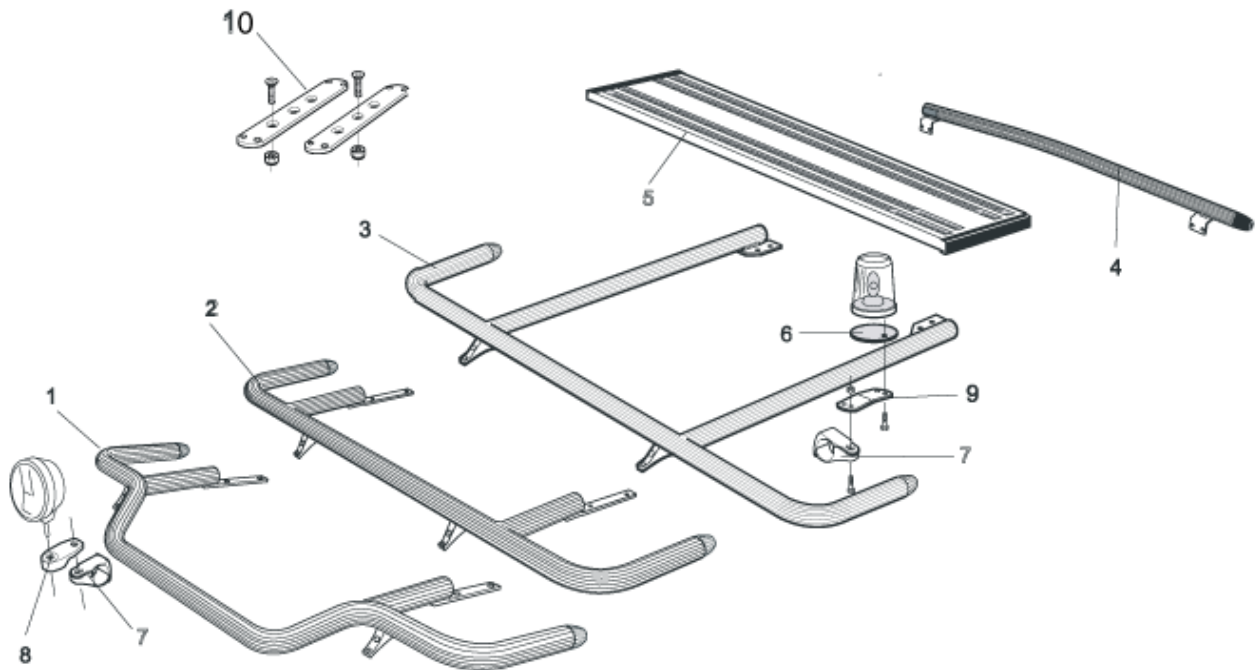


1	Front Top-Bar , with mounting kit for L1EH1 & L2H1	<i>Airflow</i>	G14-2
		<i>Smooth profile</i>	G14-2S
2	Spacing tube , with mounting kit For Day cab, <i>L1EH1</i>	<i>Airflow</i>	E14-1
		<i>Smooth profile</i>	E11-1
	For Sleep cab, <i>L2H1</i>	<i>Airflow</i>	E14-2
		<i>Smooth profile</i>	E11-2
3	Rear Top-Bar , with mounting kit	<i>Airflow</i>	G14-1
		<i>Smooth profile</i>	G11-1
4	Rear fitting for spacing tube , with mounting kit	<i>Airflow</i>	15906
		<i>Smooth profile</i>	15960
5	Catwalk , with fittings		15935
6	Airflow clamp		15903
	Clamp (for smooth profile)		15902
7	Airflow extension		15923
	Extension		15912
8	Angled extension for beacon (8°)		15945
9	Mounting plate for beacon	Ø 150 mm	15915
		Ø 165 mm	15917
		Ø 240 mm	15916
10	Universal fitting for roof signs / roof light bars		20409



1	Front Top-Bar, with mounting kit for L2H2		
A	Straight model	<i>Airflow</i>	G14-3
		<i>Smooth profile</i>	G11-3
B	Low model	<i>Airflow</i>	G14-8
		<i>Smooth profile</i>	G14-8S
2	Spacing tube, with mounting kit	<i>Airflow</i>	E14-3
		<i>Smooth profile</i>	E11-3
3	Rear fitting for spacing tube, with mounting kit	<i>Airflow</i>	15906
		<i>Smooth profile</i>	15960
4	Rear Top-Bar, with mounting kit	<i>Airflow</i>	G14-1
		<i>Smooth profile</i>	G11-1
5	Spacing tube for cooler cab with mounting kit		E14-4
6	Catwalk, with fittings		15935
7	Mounting plate for beacon	Ø 150 mm	15915
		Ø 165 mm	15917
		Ø 240 mm	15916
8	Airflow clamp		15903
	Clamp (for smooth profile)		15902
9	Airflow extension		15923
	Extension		15912
10	Angled extension for beacon (8°)		15945
11	Universal fitting for roof signs / roof light bars		20409

Expired!



Front Top-Bar, with mounting kit for L2H3

1	Low model		<i>Airflow</i>	G14-7
			<i>Smooth profile</i>	G14-7S
2	Straight model for large roof spoiler		<i>Airflow</i>	G14-5
			<i>Smooth profile</i>	G14-5S
3	Straight model		<i>Airflow</i>	G14-4
			<i>Smooth profile</i>	G11-4
4	Rear Top-Bar, with mounting kit		<i>Airflow</i>	G14-6
			<i>Smooth profile</i>	G14-6S
5	Catwalk, with fittings			15935
6	Mounting plate for beacon	Ø 150 mm		15915
		Ø 165 mm		15917
		Ø 240 mm		15916
7	Airflow clamp			15903
	Clamp (for smooth profile)			15902
8	Airflow extension			15923
	Extension			15912
9	Angled extension for beacon (8°)			15945
10	Universal fitting for roof signs / roof light bars			20409

AIRFLOW

These products are supplied in our AIRFLOW profile as standard.
The new generation aerodynamic accessories are designed for the highest performance.
On request, we can also supply the products in the traditional "smooth" profile.



FINISH

As standard the accessories are supplied **anodized** in silver color.
Products can also be supplied **sand blasted** for your own lacquering, no additional charge,
or **powder coated** in black or white color or **lacquered** in your own personal color, ask us for a quote.

Brackets comes standard powder coated black, but is possible to get painted in the same color as the front protection

Note! *Catwalks come anodized only.*

FURTHER INFORMATION about our accessories for mounting of, for example, lights can be found in our folder
"Accessories"