

Front protection, complete with fittings: Brackets, bolts and tool key



Type **HIGHWAY**

| | |
|-----------------------|--------|
| <i>Airflow</i> | A16-3 |
| <i>Smooth profile</i> | A16-3S |
| <i>Mounting kit</i> | 80162 |



Type **OFFROAD**

| | |
|-----------------------|--------|
| <i>Airflow</i> | B16-3 |
| <i>Smooth profile</i> | B16-3S |
| <i>Mounting kit</i> | 80124 |

Light-Bar with mounting kit



| | |
|-----------------------|--------|
| <i>Airflow</i> | H16-7 |
| <i>Smooth profile</i> | H16-7S |

Lights and clamps are not included!

X-Light, complete with fittings: Bolts, pre-wired and 4 spotlight clamps



Lights not included!

Airflow K16-5
Smooth profile K16-5S

X-Bar with mounting kit



Lights and clamps are not included!

Airflow H16-4
Smooth profile H16-4S

U-Bar with mounting kit



Airflow L16-2
Smooth profile L16-2S

Top-Bar, with mounting kit



Lights and clamps are not included!

for **Day cab (DAY)** and **Sleep cab (SLP)** *Airflow* G16-2
Smooth profile G16-2S



Lights and clamps are not included!

Low model,
for **Day cab (DAY)** and **Sleep cab (SLP)** *Airflow* G16-7
Smooth profile G16-7S



Lights and clamps are not included!

for **Glob (HSLP)** *Airflow* G16-4
Smooth profile G16-4S



Lights and clamps are not included!

Wide model,
for **Sleep cab (SLP)** and **Glob (HSLP)** *Airflow* G16-6
Smooth profile G16-6S

Cable with Volvo contact for frontTop-Bar (G16-2/4/6)



For 2 warning lights (needs preparation on truck)

Cable to the left 98186
Cable to the right 98187

For 4 spotlights (needs preparation (SPOTP.R) on truck)

Cable to the left 98188

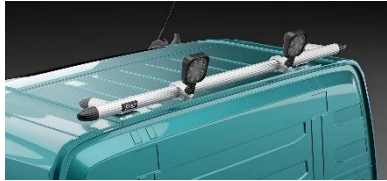
Rear Top-Bar, with mounting kit



for **Sleep cab (SLP)**

Airflow G16-1
Smooth profile G16-1S

(lights and clamps are not included)



for **Glob (HSLP)**

Airflow G16-3
Smooth profile G16-3S

(lights and clamps are not included)

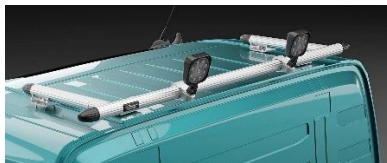
Spacing tube, with mounting kit



for **Sovhytt (SLP)**

Airflow E16-2

(image show rear Top-Bar G16-1 and spacing tube E16-2, lights and clamps are not included)



for **Glob (HSLP)**

Airflow E16-3

(image show rear Top-Bar G16-3 and spacing tube E16-3, lights and clamps are not included)

(Spacing tubes must be combined with rear Top-Bar)



AF Clamp 15903



Clamp (for Smooth profile) 15902



AF Extension 15923



Extension 15912



Mounting plate for beacon
Ø 150 mm 15915
Ø 165 mm 15917
Ø 240 mm 15916



Angled extension for beacon
for **Day cab (DAY)** and **Sleep cab (SLP)** 8° 15945
for **Glob (HSLP)** 17° 15946

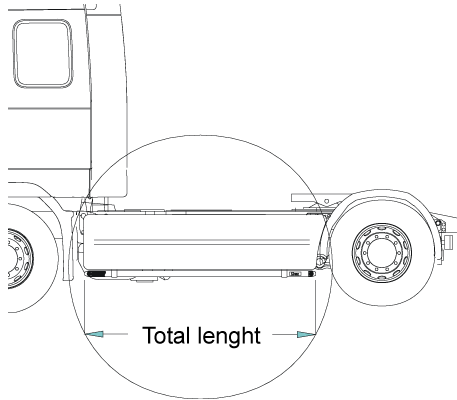


Universal fitting for roof signs / roof light bars 20409



Catwalk, with fittings 15935

Sideliner



Total length / side 0 – 2500 mm

Airflow S-1A

Smooth profile S-1S

Total length / side 2501 – 5000 mm

Airflow S-2A

Smooth profile S-2S

Rear Light-Bar, with mounting kit



Lights and clamps are not included!

Airflow P16-2

AIRFLOW

These products are supplied in our AIRFLOW profile as standard.
This generation of aerodynamic accessories are designed for the highest performance.
On request, we can also supply the products in the traditional "smooth" profile.



FINISH

As standard the accessories are supplied **anodized** in silver color.
Products can also be supplied **sand blasted** for your own lacquering, no additional charge,
or **powder coated** in black or white color or **lacquered** in your own personal color, ask us for a quote.

Brackets comes standard powder coated black, but is possible to get painted in the same color as the front protection

Note! Catwalks come anodized only.

FURTHER INFORMATION about our accessories for mounting of, for example, lights can be found in our folder

"Accessories"