

Front protection complete with fittings: Brackets, bolts and tool key



Type **OFFROAD**

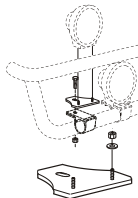
<i>Airflow</i>	B13-2
<i>Smooth profile</i>	B13-2S
<i>Mounting kit</i>	80119

X-Light complete with fittings: Bolts, pre-wired and 4 spotlight clamps



Lights not included!

<i>Airflow</i>	K13-2
<i>Smooth profile</i>	K13-2



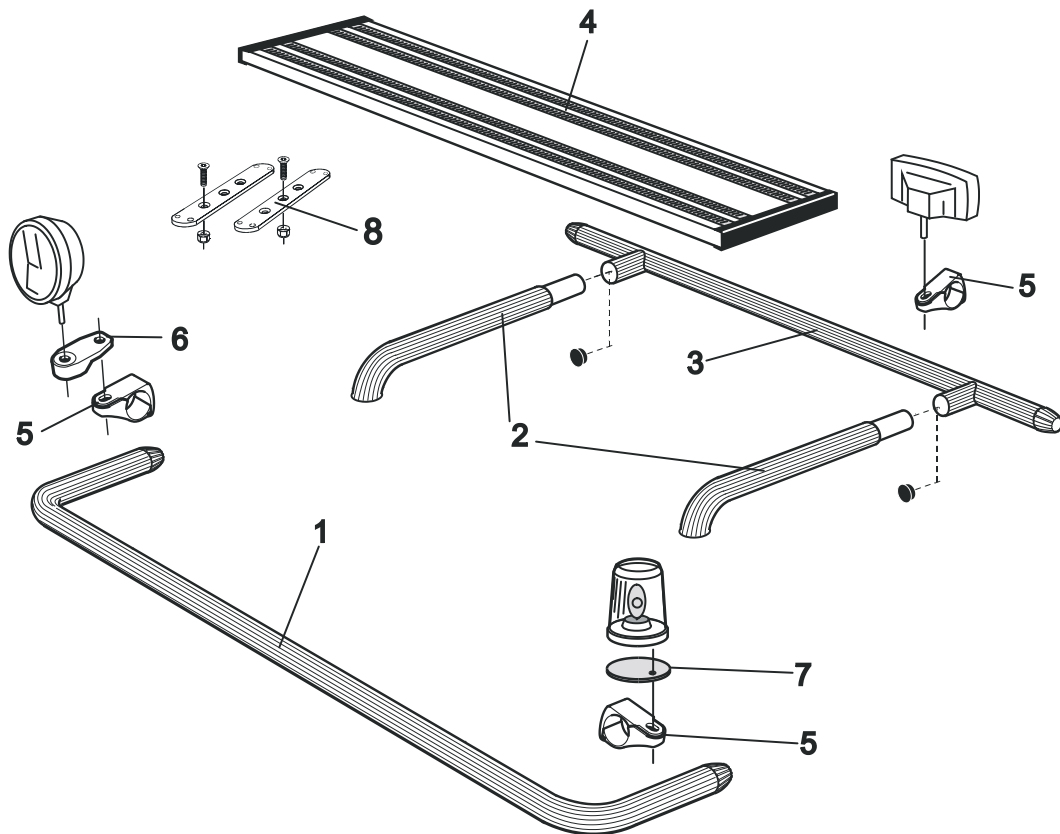
Mounting plate for Hella luminator 15907

Light-Bar with mounting kit



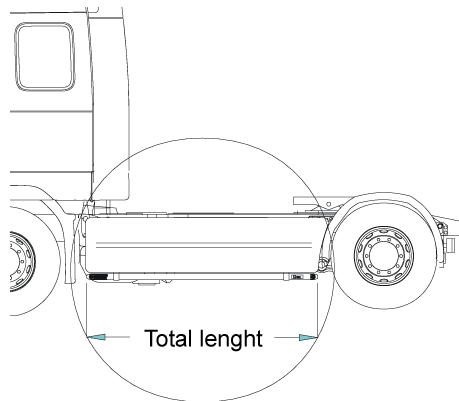
Lights and clamps are not included!

<i>Airflow</i>	H13-2
----------------	-------



Pos.1	Front Top-Bar , with mounting kit		<i>Airflow</i>	G13-2
			<i>Smooth profile</i>	G13-2S
Pos.2	Spacing tube , with mounting kit			
	For Comfort cab (L2H1)		<i>Airflow</i>	E13-2
	For Sleep cab (L3H1)		<i>Airflow</i>	E13-3
Pos.3	Rear Top-Bar , with mounting kit			
	For Comfort cab (L2H1) and Sleep cab (L3H1)		<i>Airflow</i>	G13-1
Pos.4	Catwalk with fittings			15932
Pos.5	Airflow clamp			15903
	Clamp (for smooth profile)			15902
Pos.6	Airflow extension			15923
	Extension			15912
Pos.7	Mounting plate for beacon	Ø 150mm		15915
		Ø 165mm		15917
		Ø 240mm		15916
Pos.8	Universal fitting for roof signs / roof light bars			20409

Sideline



Total length / side 0 – 2500 mm

<i>Airflow</i>	S-1A
<i>Smooth profile</i>	S-1S

Total length / side 2501 – 5000 mm

<i>Airflow</i>	S-2A
<i>Smooth profile</i>	S-2S

AIRFLOW

These products are supplied in our AIRFLOW profile as standard.
 The new generation aerodynamic accessories are designed for the highest performance.
 On request, we can also supply the products in the traditional "smooth" profile.



FINISH

As standard the accessories are supplied **anodized** in silver color.
 Products can also be supplied **sand blasted** for your own lacquering, no additional charge,
 or **powder coated** in black or white color or **lacquered** in your own personal color, ask us for a quote.

Brackets comes standard powder coated black, but is possible to get painted in the same color as the front protection

Note! Catwalks come anodized only.

FURTHER INFORMATION about our accessories for mounting of, for example, lights can be found in our folder

"Accessories"