

**Front protection complete with fittings:** Brackets, bolts and tool key



**Type HIGHWAY**

<i>Airflow</i>	A14-3
<i>Smooth profile</i>	A14-3S
<i>Mounting kit</i>	80160



**Type OFFROAD**

<i>Airflow</i>	B14-3
<i>Smooth profile</i>	B14-3S
<i>Mounting kit</i>	80120

**Light-Bar with mounting kit**



<i>Airflow</i>	H14-3
<i>Smooth profile</i>	H14-3S

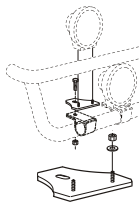
*Lights and clamps are not included!*

**X-Light complete with fittings:** Bolts, pre-wired and 4 spotlight clamps



Lights not included!

Airflow	K14-2
Smooth profile	K14-2S



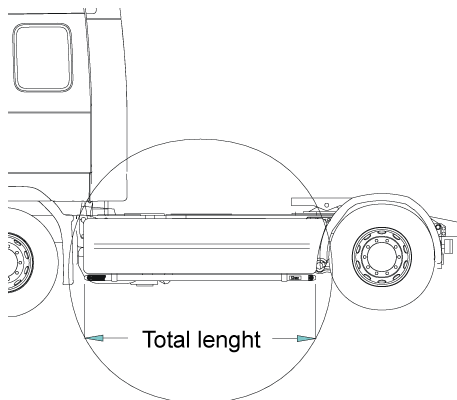
<b>Mounting plate</b> for Hella luminator	15907
---	-------

**U-Bar with mounting kit** (not for trucks with Highway mounted)



Airflow	L14-2
Smooth profile	L14-2S

**Sideliner**

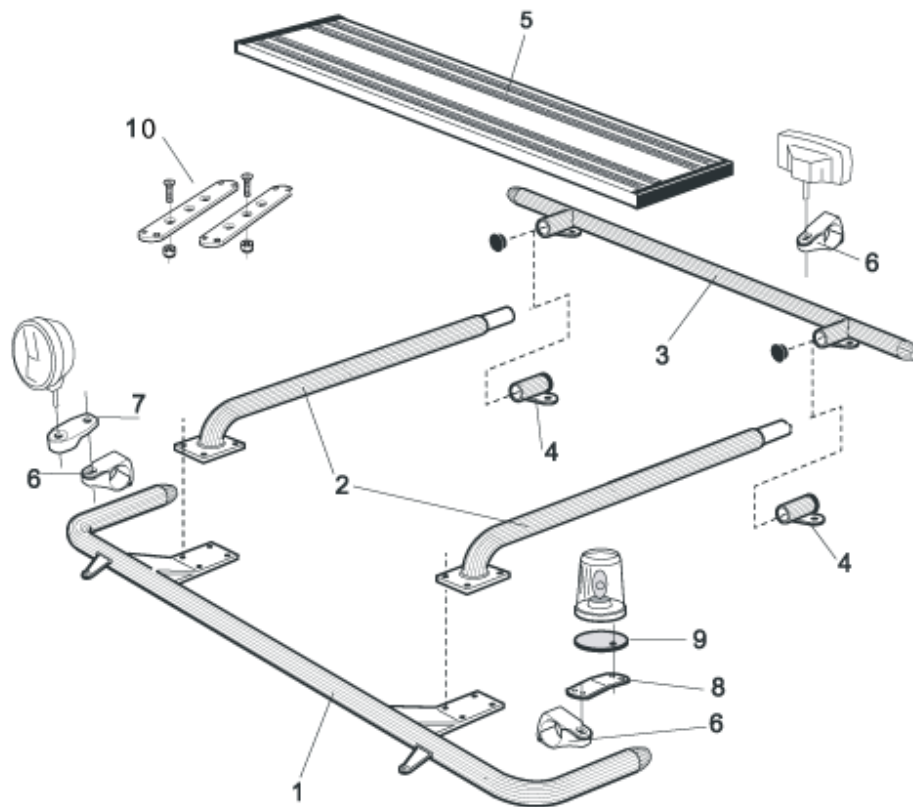


**Total length / side 0 – 2500 mm**

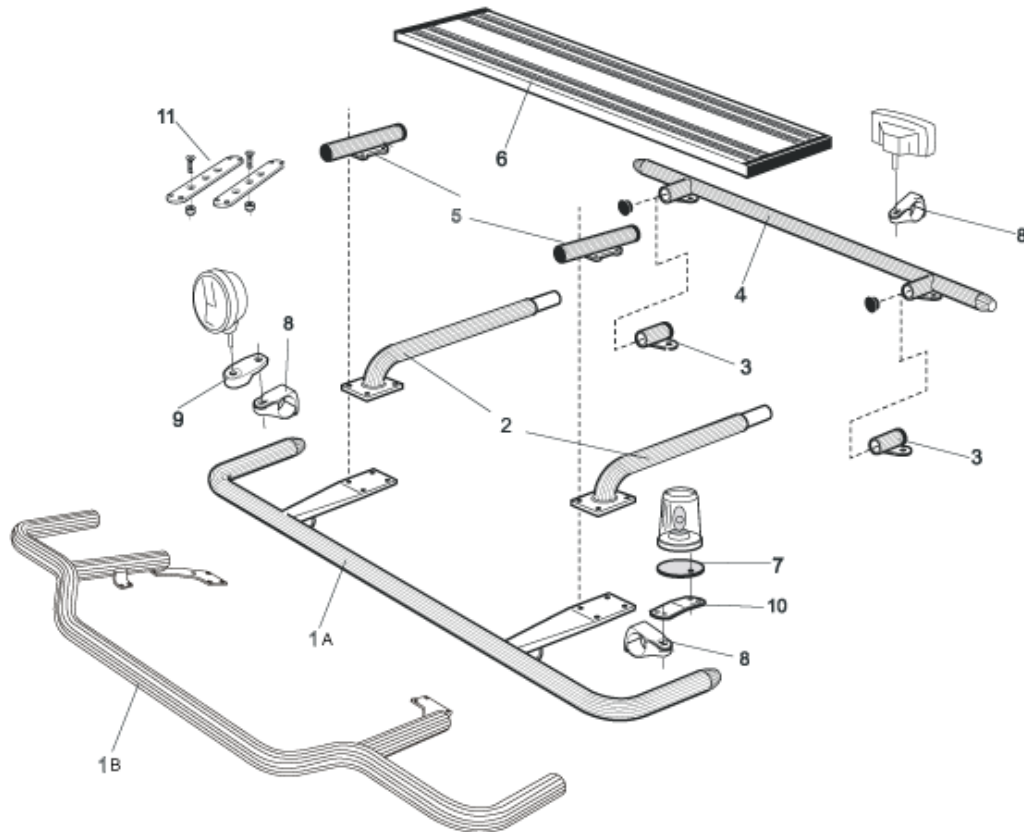
Airflow	S-1A
Smooth profile	S-1S

**Total length / side 2501 – 5000 mm**

Airflow	S-2A
Smooth profile	S-2S

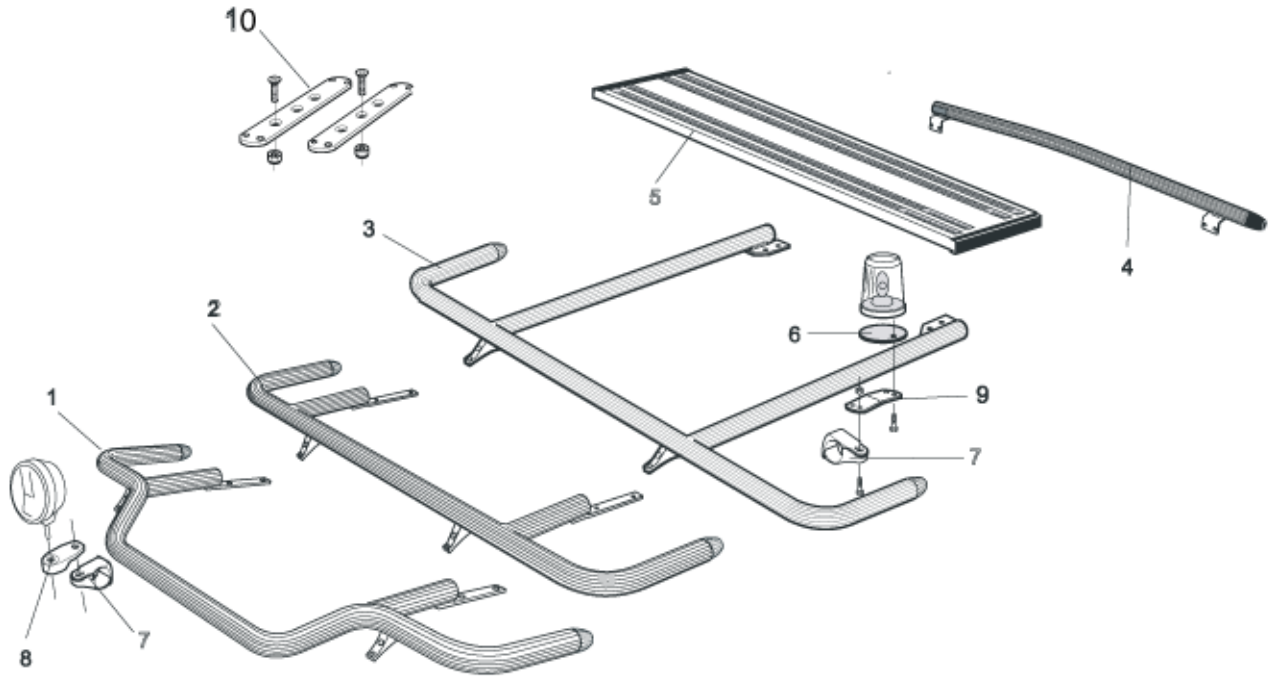


1	<b>Front Top-Bar, with mounting kit for L1EH1 and L2H1</b>	<i>Airflow</i>	G14-2
		<i>Smooth profile</i>	G14-2S
2	<b>Spacing tube, with mounting kit</b>		
	For Day cab, L1EH1	<i>Airflow</i>	E14-1
		<i>Smooth profile</i>	E11-1
	For Sleep cab, L2H1	<i>Airflow</i>	E14-2
		<i>Smooth profile</i>	E11-2
3	<b>Rear Top-Bar, with mounting kit</b>	<i>Airflow</i>	G14-1
		<i>Smooth profile</i>	G11-1
4	<b>Rear fitting for spacing tube, with mounting kit</b>	<i>Airflow</i>	15906
		<i>Smooth profile</i>	15960
5	<b>Catwalk, with fittings</b>		15935
6	<b>Airflow clamp</b>		15903
	<b>Clamp (for smooth profile)</b>		15902
7	<b>Airflow extension</b>		15923
	<b>Extension</b>		15912
8	<b>Angled extension for beacon (8°)</b>		15945
9	<b>Mounting plate for beacon</b>	Ø 150 mm	15915
		Ø 165 mm	15917
		Ø 240 mm	15916
10	<b>Universal fitting for roof signs / roof light bars</b>		20409



1	<b>Front Top-Bar, with mounting kit for L2H2</b>		
A	Straight model	<i>Airflow</i>	G14-3
		<i>Smooth profile</i>	G11-3
B	Low model	<i>Airflow</i>	G14-8
		<i>Smooth profile</i>	G14-8S
2	<b>Spacing tube, with mounting kit</b>	<i>Airflow</i>	E14-3
		<i>Smooth profile</i>	E11-3
3	<b>Rear fitting for spacing tube, with mounting kit</b>	<i>Airflow</i>	15906
		<i>Smooth profile</i>	15960
4	<b>Rear Top-Bar, with mounting kit</b>	<i>Airflow</i>	G14-1
		<i>Smooth profile</i>	G11-1
5	<b>Spacing tube for cooler cab</b> with mounting kit		E14-4
6	<b>Catwalk, with fittings</b>		15935
7	<b>Mounting plate for beacon</b>	Ø 150 mm	15915
		Ø 165 mm	15917
		Ø 240 mm	15916
8	<b>Airflow clamp</b>		15903
	<b>Clamp</b> (for smooth profile)		15902
9	<b>Airflow extension</b>		15923
	<b>Extension</b>		15912
10	<b>Angled extension</b> for beacon (8°)		15945
11	<b>Universal fitting</b> for roof signs / roof light bars		20409

*Expired!*



**Front Top-Bar, with mounting kit for L2H3**

1	Low model	<i>Airflow</i>	G14-7
		<i>Smooth profile</i>	G14-7S
2	Straight model for large roof spoiler	<i>Airflow</i>	G14-5
		<i>Smooth profile</i>	G14-5S
3	Straight model	<i>Airflow</i>	G14-4
		<i>Smooth profile</i>	G11-4
4	<b>Rear Top-Bar, with mounting kit</b>	<i>Airflow</i>	G14-6
		<i>Smooth profile</i>	G14-6S
5	<b>Catwalk, with fittings</b>		15935
6	<b>Mounting plate</b> for beacon	Ø 150 mm	15915
		Ø 165 mm	15917
		Ø 240 mm	15916
7	<b>Airflow clamp</b>		15903
	<b>Clamp</b> (for smooth profile)		15902
8	<b>Airflow extension</b>		15923
	<b>Extension</b>		15912
9	<b>Angled extension</b> for beacon (8°)		15945
10	<b>Universal fitting</b> for roof signs / roof light bars		20409

**AIRFLOW**

These products are supplied in our AIRFLOW profile as standard.  
The new generation aerodynamic accessories are designed for the highest performance.  
On request, we can also supply the products in the traditional "smooth" profile.



**FINISH**

As standard the accessories are supplied **anodized** in silver color.  
Products can also be supplied **sand blasted** for your own lacquering, no additional charge,  
or **powder coated** in black or white color or **lacquered** in your own personal color, ask us for a quote.

**Brackets** comes standard powder coated black, but is possible to get painted in the same color as the front protection

***Note!** Catwalks come anodized only.*

**FURTHER INFORMATION** about our accessories for mounting of, for example, lights can be found in our folder  
**"Accessories"**